

DESCRIPTION: INTERNAL DIMENSIONS - PLASTIC

DIMENSIONS (IN.)

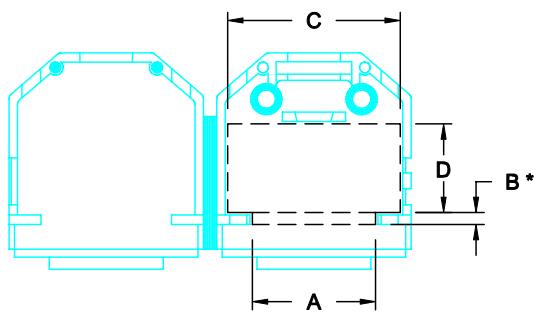
	9	15	25	37	50
A	0.760	1.070	SEE SHEET 2		SEE SHEET 3
B*	0.074	0.093			
C	1.065	1.412			
D	0.547	0.538			
PCB	0.413	0.333			

SEE NOTE 1. →

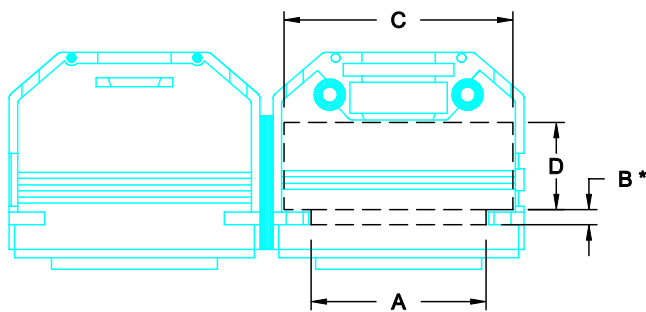
SEE NOTE 2. →

NOTE:

- "B" DIMENSION MEASURED FROM BACK SIDE OF CONNECTOR FLANGE
- MIN. SAFE SPACING BETWEEN BACK SHELLS FOR PCB AND MOUNTED COMPONENTS
- THESE DIMENSIONS ARE GOOD FOR THE PLASTIC BACK SHELLS




9-PIN



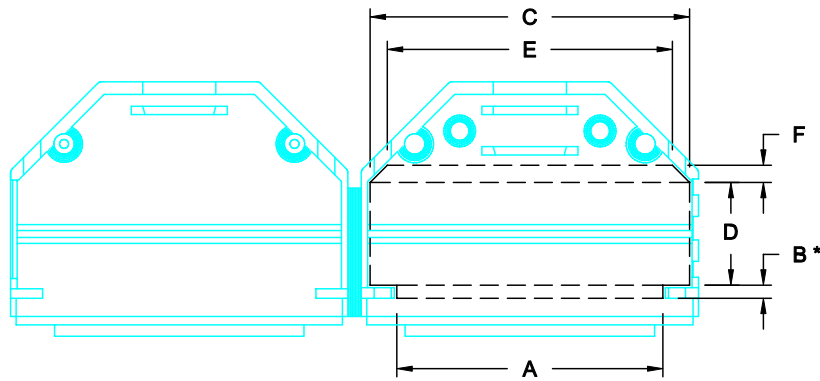
15-PIN

PLASTIC

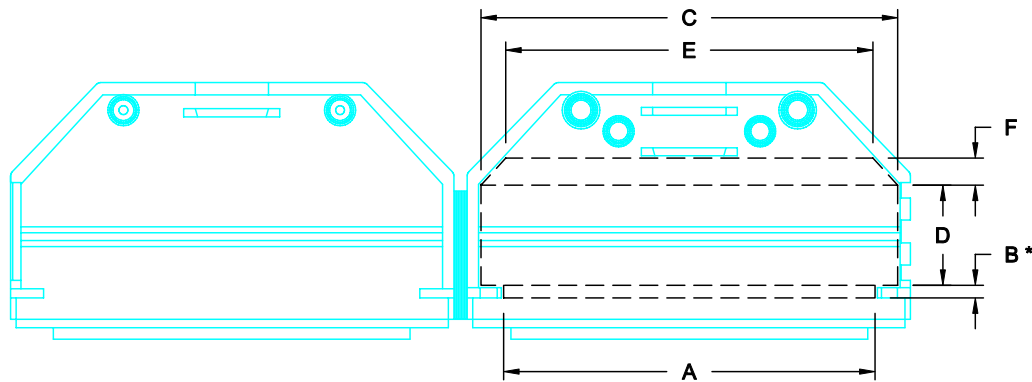
RoHS COMPLIANT

	THESE DRAWINGS AND SPECIFICATIONS ARE THE PROPERTY OF NorComp AND SHALL NOT BE REPRODUCED, COPIED OR USED AS THE BASIS FOR THE MANUFACTURE OF SALE OF APPARATUS WITHOUT WRITTEN PERMISSION.		DRAWN: C. SMITH	DATE: 06-28-06
			CHECKED: X	DATE: X
	SCALE: N.T.S.	SHEET 1	OF 3	REV 0
NorComp		DWG NO. ID - 972 SERIES		

DESCRIPTION: INTERNAL DIMENSIONS - PLASTIC



25-PIN



37-PIN


		DIMENSIONS (IN.)				
		9	15	25	37	50
SEE NOTE 1. →	A	SEE SHEET 1		1.641	2.290	SEE SHEET 3
	B*			0.081	0.078	
	C			1.970	2.570	
	D			0.634	0.617	
	E			1.758	2.264	
	F			0.106	0.167	
SEE NOTE 2. →	PCB	0.338	0.330			

NOTE:

1. "B" DIMENSION MEASURED FROM BACK SIDE OF CONNECTOR FLANGE
2. MIN. SAFE SPACING BETWEEN BACK SHELLS FOR PCB AND MOUNTED COMPONENTS
3. THESE DIMENSIONS ARE GOOD FOR THE PLASTIC BACK SHELLS

PLASTIC

RoHS COMPLIANT

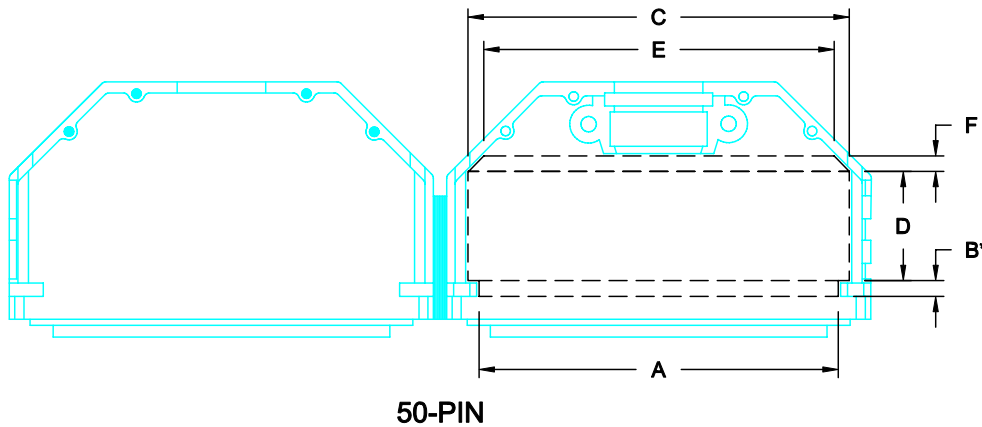
	THESE DRAWINGS AND SPECIFICATIONS ARE THE PROPERTY OF NorComp AND SHALL NOT BE REPRODUCED, COPIED OR USED AS THE BASIS FOR THE MANUFACTURE OF SALE OF APPARATUS WITHOUT WRITTEN PERMISSION.		DRAWN: C. SMITH	DATE: 06-29-06
			CHECKED: X	DATE: X
	SCALE: N.T.S.	SHEET 2	OF 3	REV 0
NorComp		DWG NO. ID - 972 SERIES		

DESCRIPTION: INTERNAL DIMENSIONS - PLASTIC


		DIMENSIONS (IN.)				
		9	15	25	37	50
SEE NOTE 1. →	A	SEE SHEET 1	SEE SHEET 2			2.215
	B*					0.097
	C					2.351
	D					0.674
	E					2.161
	F					0.095
SEE NOTE 2. →	PCB					0.515

NOTE:

- "B" DIMENSION MEASURED FROM BACK SIDE OF CONNECTOR FLANGE
- MIN. SAFE SPACING BETWEEN BACK SHELLS FOR PCB AND MOUNTED COMPONENTS
- THESE DIMENSIONS ARE GOOD FOR THE PLASTIC BACK SHELLS



PLASTIC

	THESE DRAWINGS AND SPECIFICATIONS ARE THE PROPERTY OF NorComp AND SHALL NOT BE REPRODUCED, COPIED OR USED AS THE BASIS FOR THE MANUFACTURE OF SALE OF APPARATUS WITHOUT WRITTEN PERMISSION.		DRAWN: C. SMITH	DATE: 06-28-06
			CHECKED: X	DATE: X
	SCALE: N.T.S.	SHEET 3	OF 3	REV 0
NorComp		DWG NO. ID - 972 SERIES		

RoHS COMPLIANT