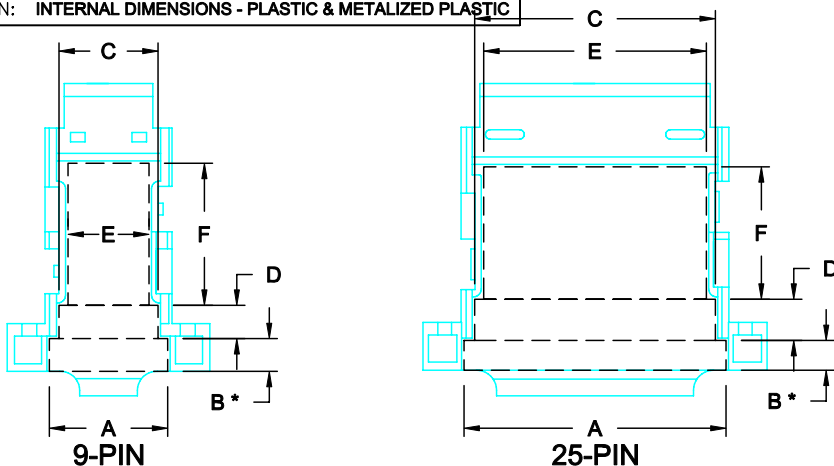


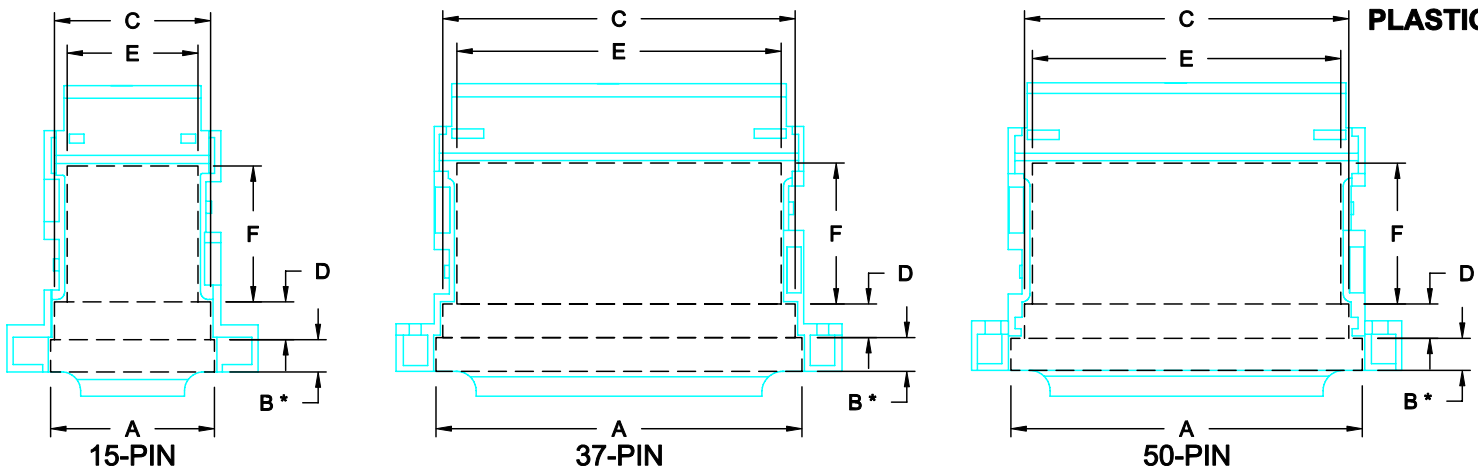
DESCRIPTION: INTERNAL DIMENSIONS - PLASTIC & METALIZED PLASTIC




		DIMENSIONS (IN.)				
		9	15	25	37	50
SEE NOTE 1.	A	0.730	1.010	1.616	2.257	2.167
	B*	0.202	0.199	0.184	0.209	0.198
	C	0.611	0.963	1.484	2.173	2.000
	D	0.205	0.233	0.254	0.207	0.211
	E	0.500	0.807	1.373	2.000	1.902
	F	0.876	0.839	0.817	0.870	0.869
SEE NOTE 2.	PCB	0.433	0.446	0.416	0.460	0.542

- NOTE:
- "B" DIMENSION MEASURED FROM BACK SIDE OF CONNECTOR FLANGE
 - MIN. SAFE SPACING BETWEEN BACK SHELLS FOR PCB AND MOUNTED COMPONENTS
 - THESE DIMENSIONS ARE GOOD FOR THE PLASTIC AND METALIZED PLASTIC BACK SHELLS

PLASTIC & METALIZED PLASTIC



RoHS COMPLIANT

	THESE DRAWINGS AND SPECIFICATIONS ARE THE PROPERTY OF NorComp AND SHALL NOT BE REPRODUCED, COPIED OR USED AS THE BASIS FOR THE MANUFACTURE OF SALE OF APPARATUS WITHOUT WRITTEN PERMISSION.		DRAWN: C. SMITH	DATE: 07-14-06
			CHECKED: X	DATE: X
<h1>NorComp</h1>		SCALE: N.T.S.	SHEET 1 OF 1	REV 0
		DWG NO. ID - 983 SERIES		