

DESCRIPTION: INTERNAL DIMENSIONS - PLASTIC & METALIZED PLASTIC

DIMENSIONS (IN.)

	9	15	25	37	50
A	0.754	1.089	1.599	2.288	2.170
B*	0.167	0.181	0.181	0.176	0.157
C	0.626	0.954	1.481	2.138	2.033
D	0.285	0.274	0.279	0.278	0.289
E	0.555	0.884	1.434	2.104	2.003
F	0.308	0.329	0.442	0.444	0.446
PCB	X	0.416	0.411	0.396	0.488

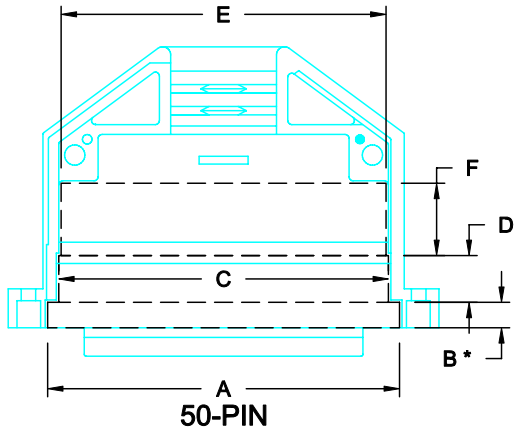
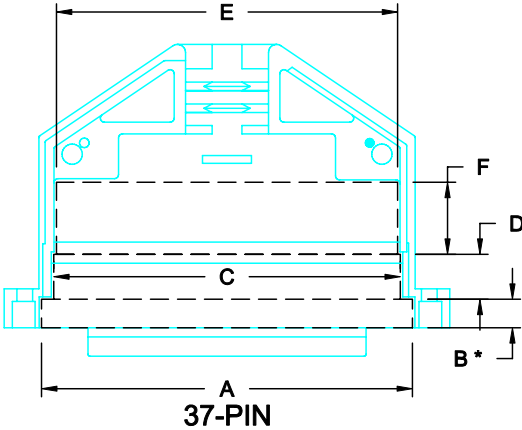
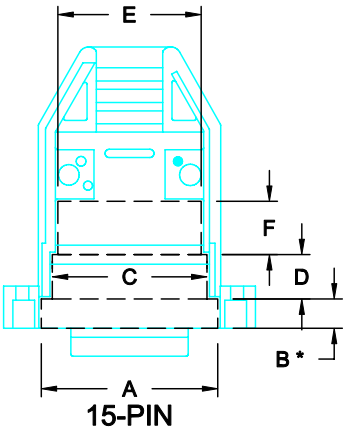
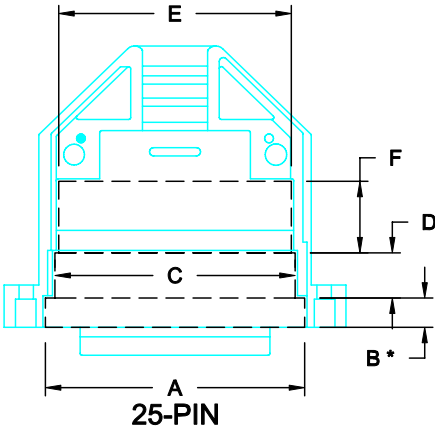
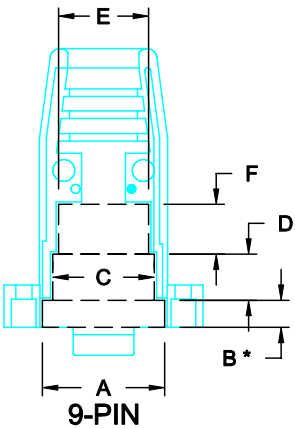
SEE NOTE 1. →

SEE NOTE 2. →

NOTE:

- "B" DIMENSION MEASURED FROM BACK SIDE OF CONNECTOR FLANGE
- MIN. SAFE SPACING BETWEEN BACK SHELLS FOR PCB AND MOUNTED COMPONENTS
- THESE DIMENSIONS ARE GOOD FOR THE PLASTIC AND METALIZED PLASTIC BACK SHELLS

**PLASTIC & METALIZED PLASTIC**



THESE DRAWINGS AND SPECIFICATIONS ARE THE PROPERTY OF NorComp AND SHALL NOT BE REPRODUCED, COPIED OR USED AS THE BASIS FOR THE MANUFACTURE OF SALE OF APPARATUS WITHOUT WRITTEN PERMISSION.

DRAWN: C. SMITH  
CHECKED: X

DATE: 07-11-06  
DATE: X

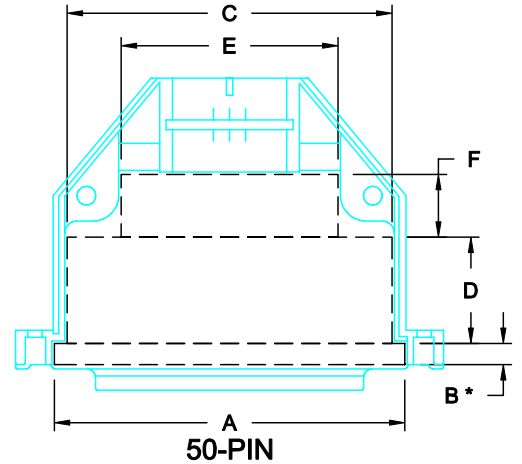
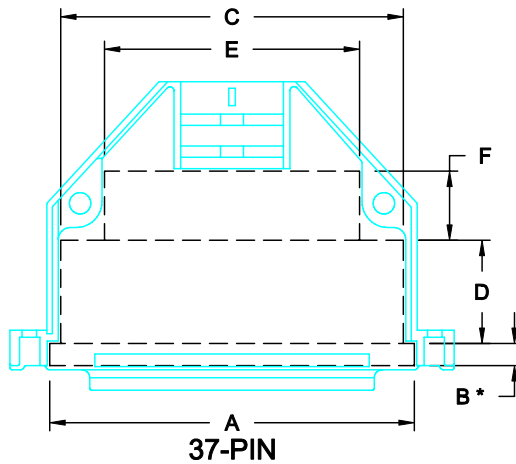
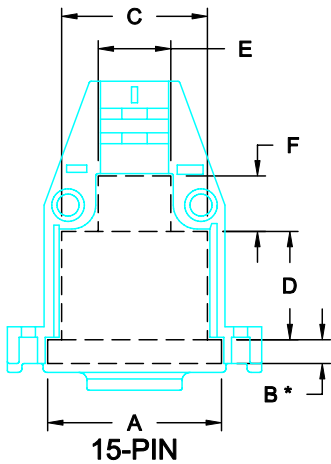
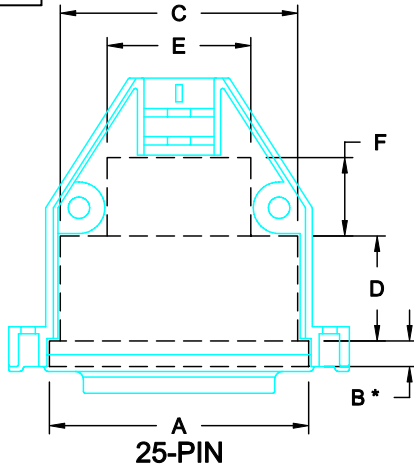
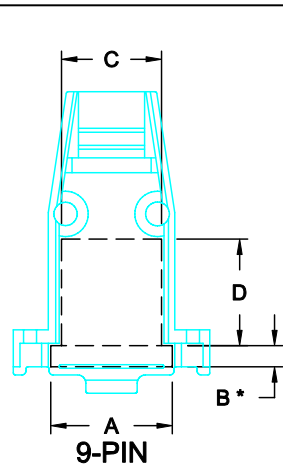
SCALE: N.T.S. SHEET 1 OF 2 REV 0

DWG NO. ID - 979 SERIES

**NorComp**

RoHS COMPLIANT

DESCRIPTION: INTERNAL DIMENSIONS - DIE CAST



	DIMENSIONS (IN.)				
	9	15	25	37	50
A	0.750	1.072	1.599	2.248	2.161
B*	0.130	0.147	0.159	0.137	0.131
C	0.617	0.899	1.464	2.113	2.003
D	0.658	0.668	0.647	0.637	0.656
E		0.448	0.886	1.573	1.337
F		0.342	0.484	0.427	0.387
PCB	0.440	0.416	0.450	0.452	0.452

SEE NOTE 1. →

SEE NOTE 2. →

**NOTE:**

- "B" DIMENSION MEASURED FROM BACK SIDE OF CONNECTOR FLANGE
- MIN. SAFE SPACING BETWEEN BACK SHELLS FOR PCB AND MOUNTED COMPONENTS
- THESE DIMENSIONS ARE GOOD FOR THE BLACK CHROMATE AND NICKEL PLATED DIE CAST BACK SHELLS

**DIE CAST**

RoHS COMPLIANT



THESE DRAWINGS AND SPECIFICATIONS ARE THE PROPERTY OF NorComp AND SHALL NOT BE REPRODUCED, COPIED OR USED AS THE BASIS FOR THE MANUFACTURE OF SALE OF APPARATUS WITHOUT WRITTEN PERMISSION.

DRAWN:  
**C. SMITH**

DATE:  
**07-21-06**

CHECKED:  
**X**

DATE:  
**X**

SCALE:  
**N.T.S.**

SHEET **2** OF **2**

REV **0**

**NorComp**

DWG NO. **ID - 979 SERIES**