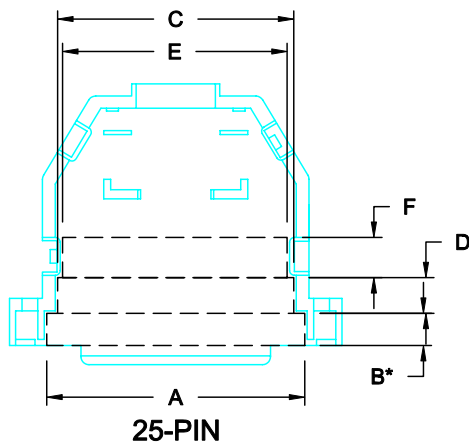
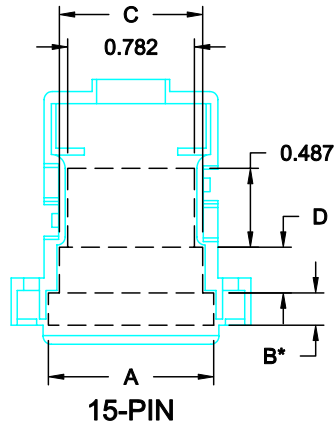
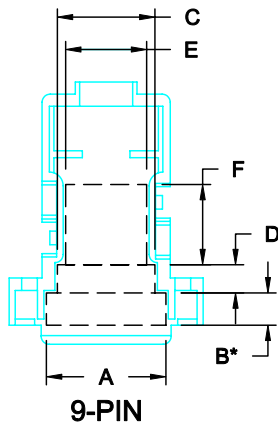


DESCRIPTION: INTERNAL DIMENSIONS - PLASTIC & METALIZED PLASTIC



DIMENSIONS (IN.)

	9	15	25
A	0.742	1.075	1.609
B*	0.196	0.190	0.214
C	0.626	0.909	1.470
D	0.191	0.281	0.203
E	0.517	0.788	1.363
F	0.473	0.326	0.268
PCB	0.442	0.453	0.459

SEE NOTE 1. →

SEE NOTE 2. →

NOTE:

- "B" DIMENSION MEASURED FROM BACK SIDE OF CONNECTOR FLANGE
- MIN. SAFE SPACING BETWEEN BACK SHELLS FOR PCB AND MOUNTED COMPONENTS
- THESE DIMENSIONS ARE GOOD FOR THE PLASTIC AND METALIZED PLASTIC BACK SHELLS

PLASTIC & METALIZED PLASTIC

DO NOT SCALE FROM DRAWING

RoHS COMPLIANT



THESE DRAWINGS AND SPECIFICATIONS ARE THE PROPERTY OF NorComp AND SHALL NOT BE REPRODUCED, COPIED OR USED AS THE BASIS FOR THE MANUFACTURE OF SALE OF APPARATUS WITHOUT WRITTEN PERMISSION.

DRAWN: C. SMITH		DATE: 05-10-07	
CHECKED:		DATE:	
SCALE: N.T.S.	SHEET 1	OF 1	REV 0
DWG NO. ID - 956 SERIES			

NorComp