

4

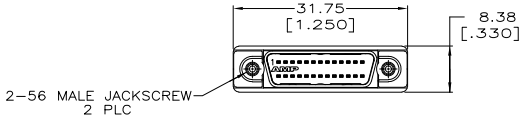
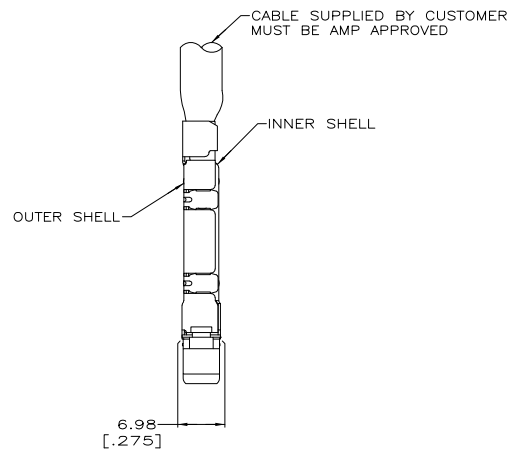
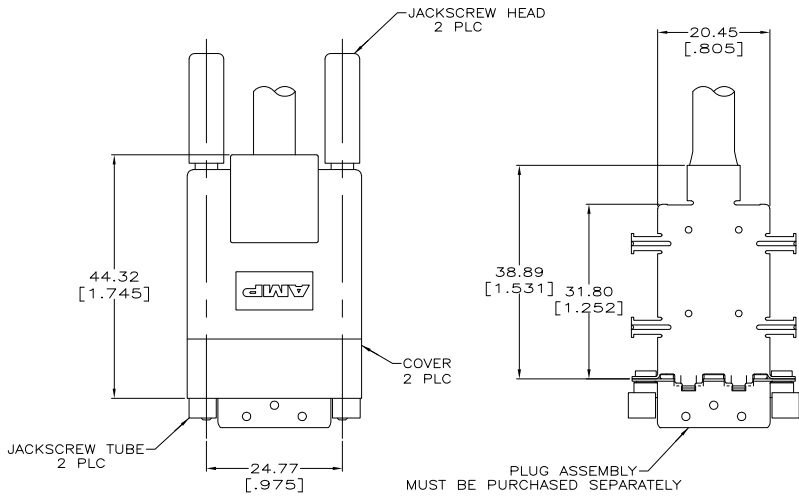
3

2

1

THIS DRAWING IS UNPUBLISHED. RELEASED FOR PUBLICATION
 © COPYRIGHT BY TYCO ELECTRONICS CORPORATION. ALL RIGHTS RESERVED.

LOC	DIST	REVISIONS			
F	LR	DESCRIPTION	DATE	MIN	APPD
GP	00	H1	REVISED PER ECO-05-009847	10FEB06	BM SS



- ▲ COMPONENTS PACKAGED AS A UNIT KIT.
- ▲ COMPONENTS INDIVIDUALLY BULK PACKED AND COMBINED IN ONE SHIPPING CONTAINER.
- ▲ UL 94V-0 RATED, ABS MOLDING COMPOUND, COLOR: SEE TABLE.
- 4. TIN PLATING PER MIL-T-10727, COPPER PER MIL-C-14550.
- ▲ ZINC PLATE PER ASTM B633, TYPE III, CLASS SC1, CLEAR CHROMATE.
- ▲ 5.08µm [.000200] MIN TIN OVER 5.08µm [.000200] MIN COPPER.
- ▲ OBSOLETE PART NUMBER.

7.11-7.87	▲	BLACK	▲	750850-8
[.280-.310]	▲	BLACK	▲	750850-7
6.35-7.11	▲	BLACK	▲	750850-6
[.250-.280]	▲	BLACK	▲	750850-5
7.11-7.87	▲	GRAY	▲	750850-4
[.280-.310]	▲	GRAY	▲	750850-3
6.35-7.11	▲	GRAY	▲	750850-2
[.250-.280]	▲	GRAY	▲	750850-1
CABLE DIAMETER		PACKAGING	COLOR	PART NUMBER

THIS DRAWING IS A CONTROLLED DOCUMENT.		DRW M. MCCAFFREY 01/06/92	Tyco Electronics Corporation Harrisburg, PA 17105-3608	
DIMENSIONS: INCHES		CHK R. FRANTZ 01/06/92	APPROVED NAME	
TOLERANCES UNLESS OTHERWISE SPECIFIED:		PRODUCT SPEC		
0 PLC	±	108-1366		
1 PLC	±	APPLICATION SPEC		
2 PLC	± 0.38 [015]	114-40036		
3 PLC	±	WEIGHT		
4 PLC	±	CUSTOMER DRAWING		
MATERIAL	▲	SIZE	CAGE CODE	DRAWING TO
FINISH	▲	A2	00779	C=750850
		RESTRICTED TO	SCALE	SHEET
			2:1	1 of 1
				REV H1

AMP 1471-9 REV 31MAR2000

750850

B

A