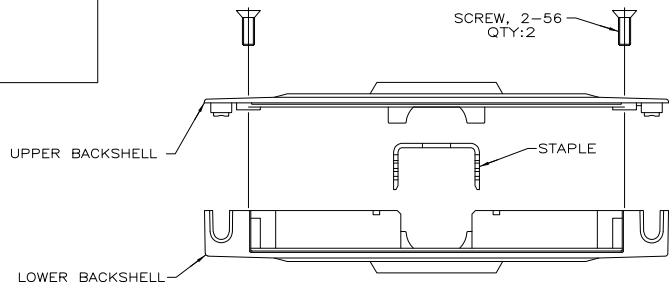
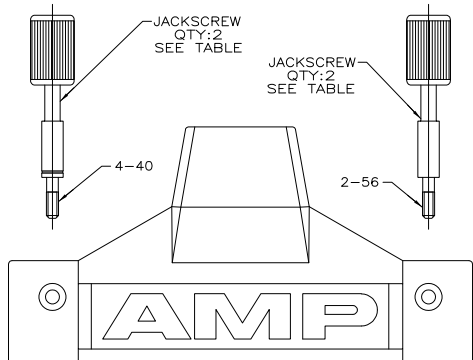
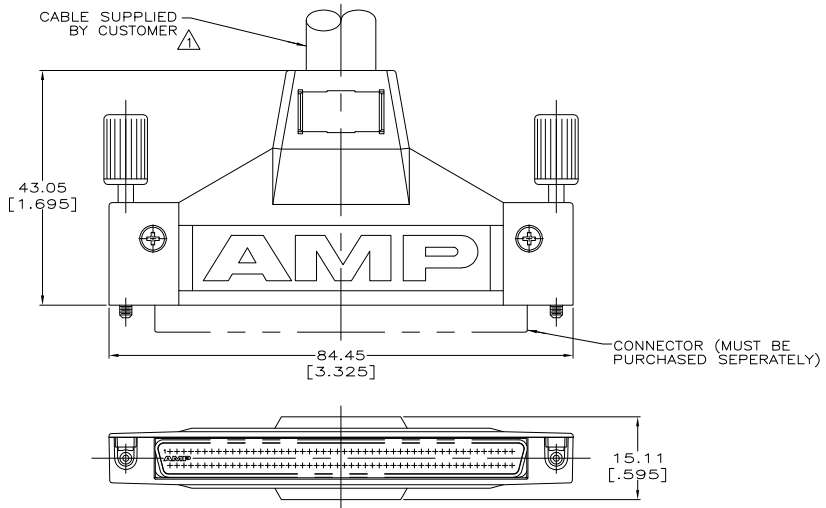


THIS DRAWING IS UNPUBLISHED. RELEASED FOR PUBLICATION  
 © COPYRIGHT BY TYCO ELECTRONICS CORPORATION. ALL RIGHTS RESERVED.

LOC		DIBT		REVISIONS			
F	LR	DESCRIPTION	DATE	BY	APP'D		
GP	00	E2	REVISED PER ECO-06-024597	13NOV06	JDP	SAS	



- ⚠ 12.70[.500] MAX CABLE DIA.
- ⚠ BACKSHELLS: ZINC PER ASTM AG40A, UNS Z33521.
- ⚠ SCREWS & BACKSHELLS: NICKEL PLATED.
- ⚠ STAPLE, JACKSCREWS & SCREWS: STEEL PER ASTM A109.
- ⚠ STAPLE: BRIGHT TIN-LEAD PLATED.
- ⚠ JACKSCREWS: FLAME RETARDANT 94 V-0 RATED, POLYOLEFIN OR PVC, COLOR: BLACK.
- ⚠ JACKSCREWS: BLACK ZINC PLATED.
- ⚠ STAPLE: BRIGHT TIN PLATED.

SUPERSEDED BY 5749081-1	2-56	⚠	749081-3
OBSELETE	4-40	⚠	749081-2
	2-56	⚠	749081-1
	JACKSCREW THREAD	STAPLE FINISH	PART NO

THIS DRAWING IS A CONTROLLED DOCUMENT.		DNV JACK ROOT 11-23-88	Tyco Electronics Corporation	
DIMENSIONS: mm [INCHES]		CHK. M. WATERS 12-01-88	Harrisburg, PA 17105-3608	
TOLERANCES UNLESS OTHERWISE SPECIFIED:		APPC	INDIVIDUAL KIT, BACKSHELLS WITH MALE JACKSCREWS, 100 POSITION AMP/LUMITE .050 SERIES	
0 P.L.C.	± .005	PRODUCT SPEC	SIZE	RESTRICTED TO
1 P.L.C.	± .002	APPLICATION SPEC	A2	
2 P.L.C.	± .001	WEIGHT	00779	
3 P.L.C.	± .0005		C=749081	
4 P.L.C.	± .0002			
ANGLES	± .0001			
FINISH				
MATERIAL		CUSTOMER DRAWING	SCALE 2:1	SHEET 1 of 1 REV E2

AMP 1471-9 REV 31MM2000