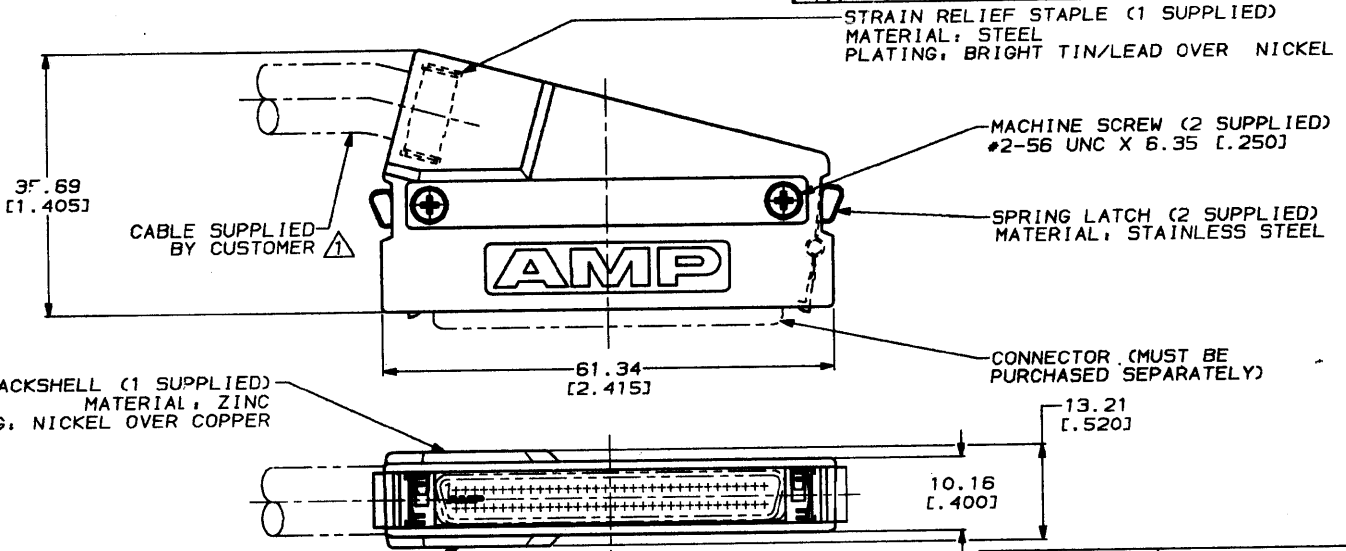


DRAWING MADE IN THIRD ANGLE PROJECTION		3		2		1	
THIS DRAWING IS UNPUBLISHED.		RELEASED FOR PUBLICATION		, 19		REVISIONS	
© COPYRIGHT 19		BY AMP INCORPORATED. ALL INTERNATIONAL RIGHTS RESERVED.		8	BD	39	
NO	LOC	DISY	P	F	ZONE	LTR	DESCRIPTION
					0		RELEASED PER NPR 2244 WAS 88-5870-43
					A		REVISED PER ECN 4221-0453
					B		REVISED PER ECN 4221-0586
							DATE
							12/21/88
							10/26/88
							7-5-90
							APPD
							-
							MAM
							BT



- ⚠ 10.16 [0.400] MAX CABLE DIA
- ⚠ 11.18 [0.440] MAX CABLE DIA



DO NOT SCALE PRINT. UNLESS SPECIFIED DIMENSIONS IN INCHES TOLERANCES ON: S P L C DEC * - S P L D DEC * 0.38 (0.015) ANGLES * -		DR 12/20/88	N.E. SHIRE	749204-2	
MATERIAL -		CHK 12/20/88	N.A. BOGHEEY	AS SHOWN ⚠ 749204-1	
FINISH -		APPD 12/20/88	J.L. BROSGARD	REMARKS	
APPLIGATION SPEC -		O.S. INSTALLOS		PART NO	
WEIGHT -		PRODUCT SPEC -		AMP INCORPORATED Harrisburg, Pa. 17105	
		NAME		INDIVIDUAL KIT, UNASSEMBLED, 68 POSITION, 75° EXIT, UNKEYED, AMPLIMITE .050 Series	
		SIZE	PBRN NO	DRAWING NO	
		B	00779	749204	
		SCALE	2:1	SHEET	
				1 OF 1	

CUSTOMER DRAWING