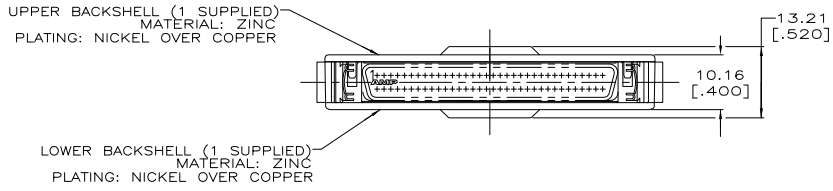
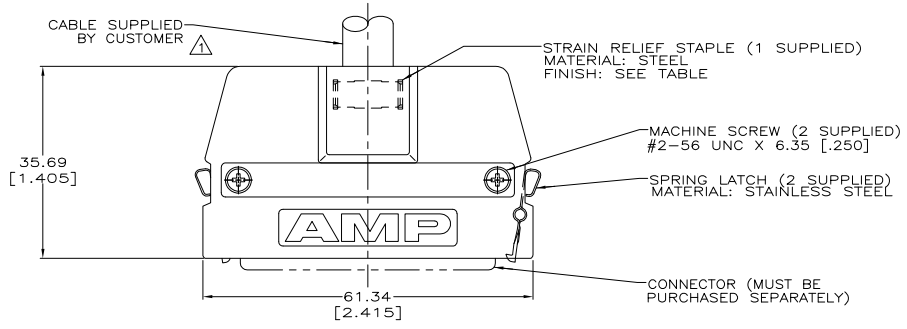


4 3 2 1

THIS DRAWING IS UNPUBLISHED. RELEASED FOR PUBLICATION. BY TYCO ELECTRONICS CORPORATION. ALL RIGHTS RESERVED.

LOC	QST	REVISIONS				
GP	00	TR	LR	DATE	DR	APP
		E1		REVISED PER ECD-05-009286	28FEB06	BM SS

- △ 10.16 [.400] MAX CABLE DIA
- △ 11.18 [.440] MAX CABLE DIA
- △ BRIGHT TIN-LEAD OVER NICKEL.
- △ BRIGHT TIN OVER NICKEL.



SUPERSEDED BY 5749195-2	△ 2	△ 4	749195-3
	△ 2	△ 3	749195-2
<b>OBSOLETE</b>	AS SHOWN △ 1	△ 3	749195-1
	REMARKS	STAPLE FINISH	PART NO

THIS DRAWING IS A CONTROLLED DOCUMENT.		DRN	M.A. McCAFFREY	12-30-84	Tyco Electronics Corporation Harrisburg, PA 17105-3608
		DRN	M.E. SHIRK	12-30-88	
DIMENSIONS:	TOLERANCES UNLESS OTHERWISE SPECIFIED:	APPRO		DATE	REV
mm[INCHES]					
Ø	F/PLC	±	—	PRODUCT SPEC	
	F/PLC	±	—	APPLICATION SPEC	
	F/PLC	±	0.38 [.015]		
	F/PLC	±	—		
	ANGLES	±	—		
MATERIAL	FINISH	WEIGHT		SIZE	CAGE CODE
—	—	—		A2	00779
CUSTOMER DRAWING				DRAWING NO	749195
				RESTRICTED TO	—
				SCALE	2:1
				SHEET	1 of 1
				REV	E1

749195