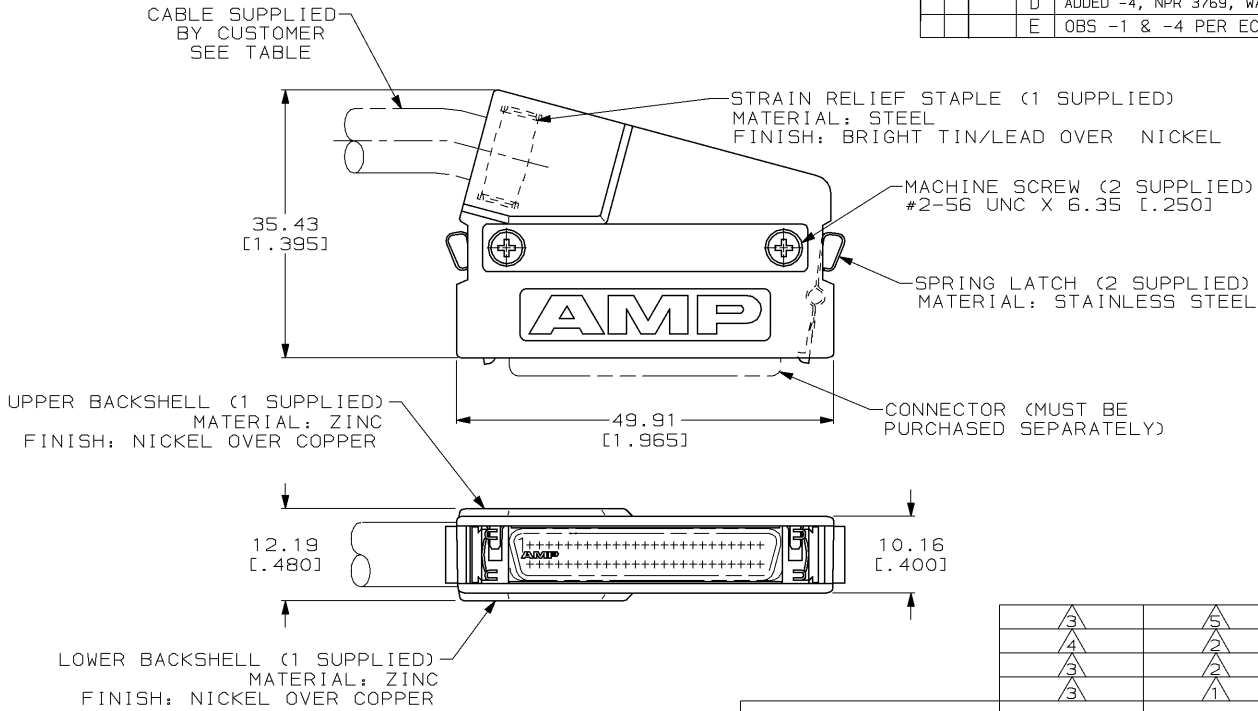


DRAWING MADE IN THIRD ANGLE PROJECTION

THIS DRAWING IS UNPUBLISHED. RELEASED FOR PUBLICATION, 19  
 © COPYRIGHT 19 BY AMP INCORPORATED. ALL INTERNATIONAL RIGHTS RESERVED.

LOC	DIST	P	F	ZONE	LTR	DESCRIPTION	DATE	APPD
BD	95							
					D	ADDED -4, NPR 3769, WAS 91-4621-30-1	10-11-91	-
					E	OBS -1 & -4 PER EC 0020-481-96	10 JAN 97	LB



- ① 9.02 [0.355] MAX CABLE DIAMETER.
- ② 10.16 [0.400] MAX CABLE DIAMETER.
- ③ PACKAGED ONE KIT PER BAG.
- ④ BULK PACKAGED.
- ⑤ 12.19 [0.480] MAX CABLE DIAMETER.
- ⑥ OBSOLETE PART NUMBER.

PACKAGING	CABLE DIA	PART NO
③	⑤	⑥ 749202-4
④	②	749202-3
③	②	749202-2
③	①	⑥ 749202-1

DO NOT SCALE PRINT. UNLESS SPECIFIED DIMENSIONS IN mm [INCHES] TOLERANCES ON: 2 PLC DEC ± 0.38 [0.015] ANGLES ± -		DR 12/20/88 M.E. SHIOTK	AMP INCORPORATED Harrisburg, Pa. 17105
MATERIAL SEE CALLOUTS		CHK 12/20/88 M.A. MCCAFFREY	
FINISH SEE CALLOUTS		APPD 12/20/88 J.L. BROSHARD	NAME KIT, UNASSEMBLED, 50 POSITION, 75° EXIT, UNKEYED, AMPLIMITE™ .050 Series
		APPD 12/20/88 C.E. REYNOLDS	
		PRODUCT SPEC -	SIZE <b>B</b>
		APPLICATION SPEC -	FSCN NO 00779
		WEIGHT -	DRAWING NO 749202
			SCALE 2:1
			SHEET 1 OF 1

AMP 1470-15 REV 3-87

10-JAN-97 10:47:10 amp35397 /home/ssr/v026d/dsk04/dept4023/amp35397/edmod

CUSTOMER DRAWING