

4

3

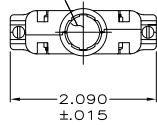
2

1

THIS DRAWING IS UNPUBLISHED. RELEASED FOR PUBLICATION. ALL RIGHTS RESERVED.

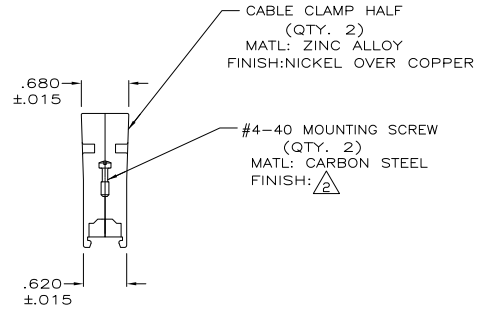
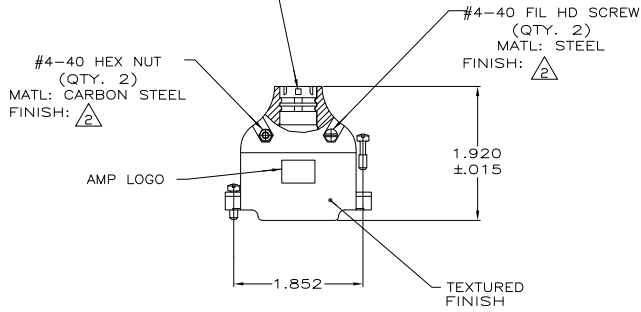
LOC	DIST	REVISIONS		
P	LTR	DESCRIPTION	DATE	BY
GP	00			
P		REVISED PER ECO-11-004835	11MAR11	RK HMR

OPENING FOR CABLE  
(SEE DASH NO. FOR DIA.)



- PARTS PACKAGED UNASSEMBLED, AS A UNIT KIT.
- △ ZINC PLATED .000200-.000400 THICK, CLEAR CHROMATE COATING.

SIZE IDENTIFICATION LETTER  
MOLDED IN APPROXIMATE AREA  
SHOWN, SEE TABLE



D	.280	5745173-5
G	.350	5745173-4
K	.430	5745173-3
M	.480	5745173-2
P	.530	5745173-1
NECK SIZE IDENT	MAX CABLE DIA	PART NUMBER

THIS DRAWING IS A CONTROLLED DOCUMENT.		DR	12AJ005
DIMENSIONS:		DR <td>12AJ005</td>	12AJ005
INCHES		DR <td>12AJ005</td>	12AJ005
OTHER DIMENSIONS:		DR <td>12AJ005</td>	12AJ005
MATERIAL		DR <td>12AJ005</td>	12AJ005
FINISH		DR <td>12AJ005</td>	12AJ005
SEE CALLOUTS		DR <td>12AJ005</td>	12AJ005
SEE CALLOUTS		DR <td>12AJ005</td>	12AJ005
CUSTOMER DRAWING		DR <td>12AJ005</td>	12AJ005
APPLICATION SPEC		DR <td>12AJ005</td>	12AJ005
WEIGHT		DR <td>12AJ005</td>	12AJ005
SIZE		DR <td>12AJ005</td>	12AJ005
CASE CODE		DR <td>12AJ005</td>	12AJ005
DRAWING NO		DR <td>12AJ005</td>	12AJ005
RESTRICTED TO		DR <td>12AJ005</td>	12AJ005
SCALE		DR <td>12AJ005</td>	12AJ005
SHEET		DR <td>12AJ005</td>	12AJ005
REV		DR <td>12AJ005</td>	12AJ005

**TE** TE Connectivity

CABLE CLAMP KIT, SIZE 3,  
180 DEGREE, AMPLIMITE

SIZE	CASE CODE	DRAWING NO	RESTRICTED TO
A2	00779	C=5745173	
SCALE	1:1	SHEET	1 of 1
REV			P