

4

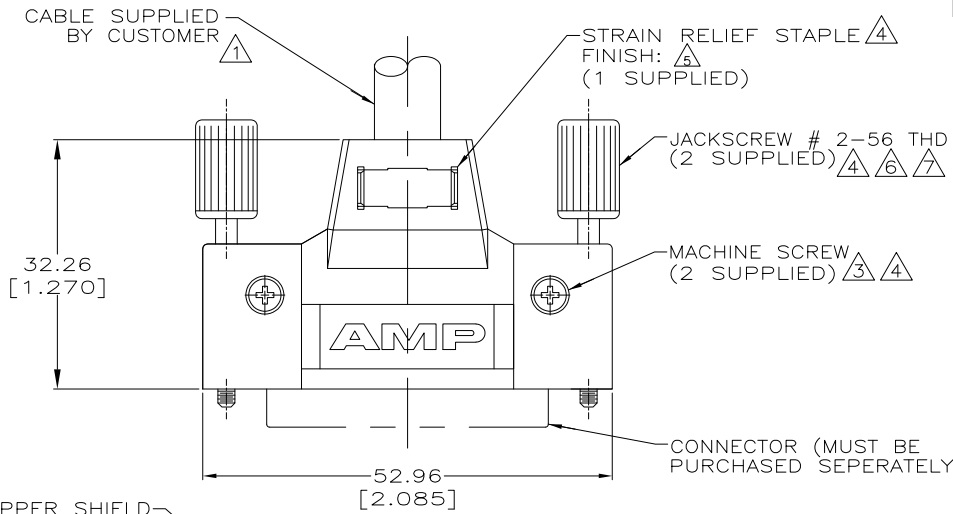
3

2

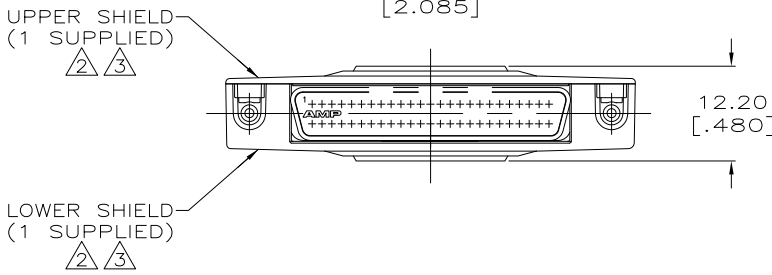
1

THIS DRAWING IS UNPUBLISHED. RELEASED FOR PUBLICATION
 © COPYRIGHT - By - ALL RIGHTS RESERVED.

LOC	DIST	REVISIONS					
GP	00	P	LTR	DESCRIPTION	DATE	DWN	APVD
		P		REVISED PER ECO-11-004835	11MAR11	RK	HMR



- 1 10.16[.400] MAX CABLE DIA.
- 2 ZINC.
- 3 NICKEL PLATED.
- 4 STEEL.
- 5 BRIGHT TIN PLATED.
- 6 FLAME RETARDANT 94 V-0 RATED, POLYOLEFIN OR PVC, COLOR: BLACK.
- 7 BLACK ZINC PLATED.
- 8 PARTS PACKAGED AS A UNIT KIT.
- 9 INDIVIDUALLY BULK PACKAGED.
- 10 OBSOLETE PARTS: OBSOLETE CIS STREAMLINING PER D.RENAUD/D.SINISI.



10 OBSOLETE	9	-5749080-2-
	8	5749080-1
	PACKAGING	PART NO.

**COPYRIGHT 2005
 TE CONNECTIVITY CORP
 ALL RIGHTS RESERVED**

THIS DRAWING IS A CONTROLLED DOCUMENT.		DWN	G.PETERS	24aug05
DIMENSIONS:		CHK	S.SHUEY	24AUG05
INCHES		APVD	M.WALMSLEY	24AUG05
TOLERANCES UNLESS OTHERWISE SPECIFIED:		NAME		
0 PLC	± -	BACKSHELLS WITH MALE JACKSCREWS, 50 POSITION AMPLIMITE .050 Series		
1 PLC	± -	SIZE	CAGE CODE	DRAWING NO
2 PLC	± 0.38 [015]	A3	00779	C-5749080
3 PLC	± -	RESTRICTED TO	-	
4 PLC	± -	WEIGHT	-	
ANGLES	± -	CUSTOMER DRAWING	SCALE	2:1
MATERIAL	FINISH	PACKAGING	SHEET	1 OF 1
STAPLE FINISH			REV	P