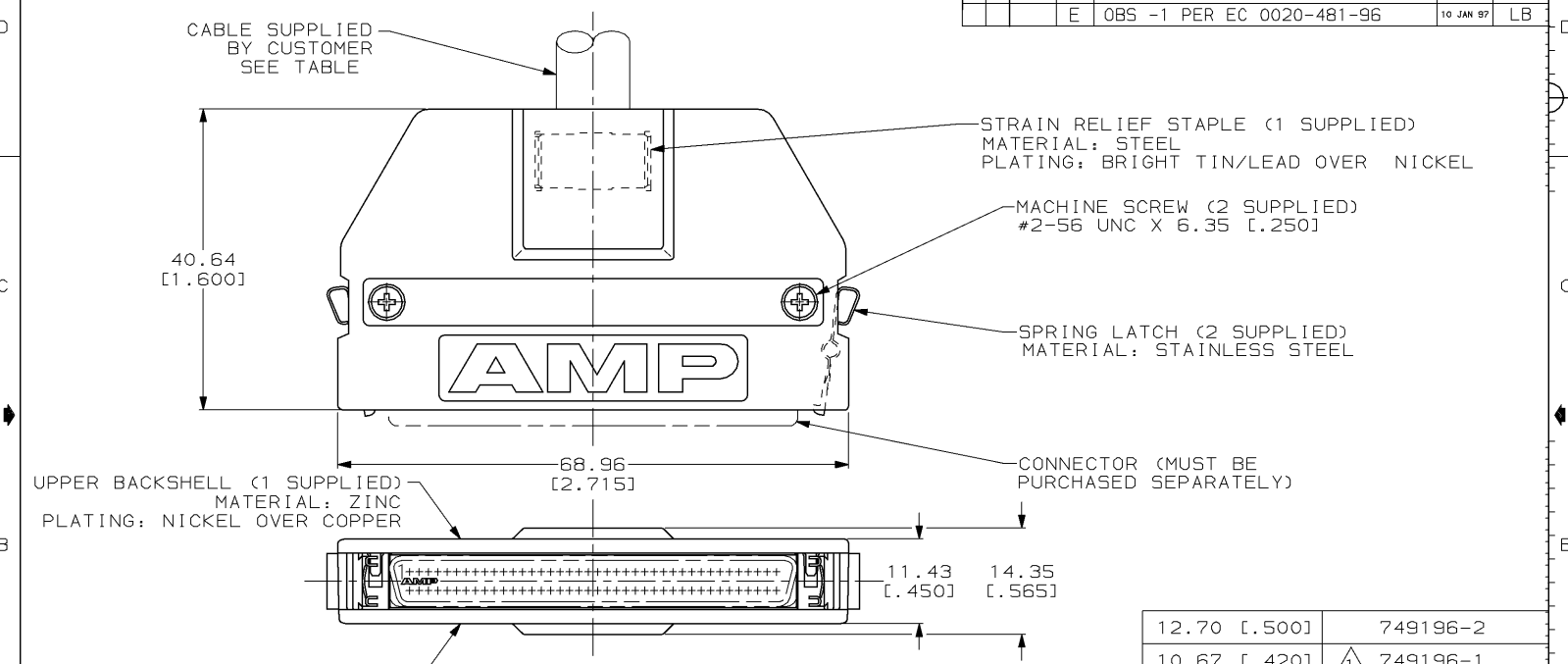


DRAWING MADE IN THIRD ANGLE PROJECTION

THIS DRAWING IS UNPUBLISHED. RELEASED FOR PUBLICATION, 19 .  
 © COPYRIGHT 19 BY AMP INCORPORATED. ALL INTERNATIONAL RIGHTS RESERVED.

LOC	DIST	P	F	ZONE	LTR	REVISIONS	DESCRIPTION	DATE	APPD
BD	95					D	ADDED -2 PER NPR 3466	05/02/91	-
						E	OBS -1 PER EC 0020-481-96	10 JAN 97	LB



1 OBSOLETE PART NUMBER.

DO NOT SCALE PRINT. UNLESS SPECIFIED DIMENSIONS IN mm [INCHES] TOLERANCES ON: 2 PLC DEC ± .038 [0.015] 3 PLC DEC ± .038 [0.015] ANGLES ± -		DR 12-20-88 M.A. McCAFFREY CHK 12-20-88 M.E. SHIRK APPD 12-20-88 J. BROCHARD APPD 12-20-88 C.E. REYNOLDS PRODUCT SPEC APPLICATION SPEC WEIGHT -	AMP INCORPORATED Harrisburg, Pa. 17105	NAME INDIVIDUAL KIT, UNASSEMBLED, 80 POSITION, STRAIGHT EXIT, UNKEYED, AMPLIMITE .050 Series	SIZE <b>B</b>	FSCN NO 00779	DRAWING NO 749196
MAX CABLE DIA		PART NO		SCALE 2:1		SHEET 1 OF 1	

AMP 1470-15 REV 3-87

10-JAN-97 09:13:32 amp35397 /home/ssr/v026d/dsk04/dept4023/amp35397/edmod

CUSTOMER DRAWING