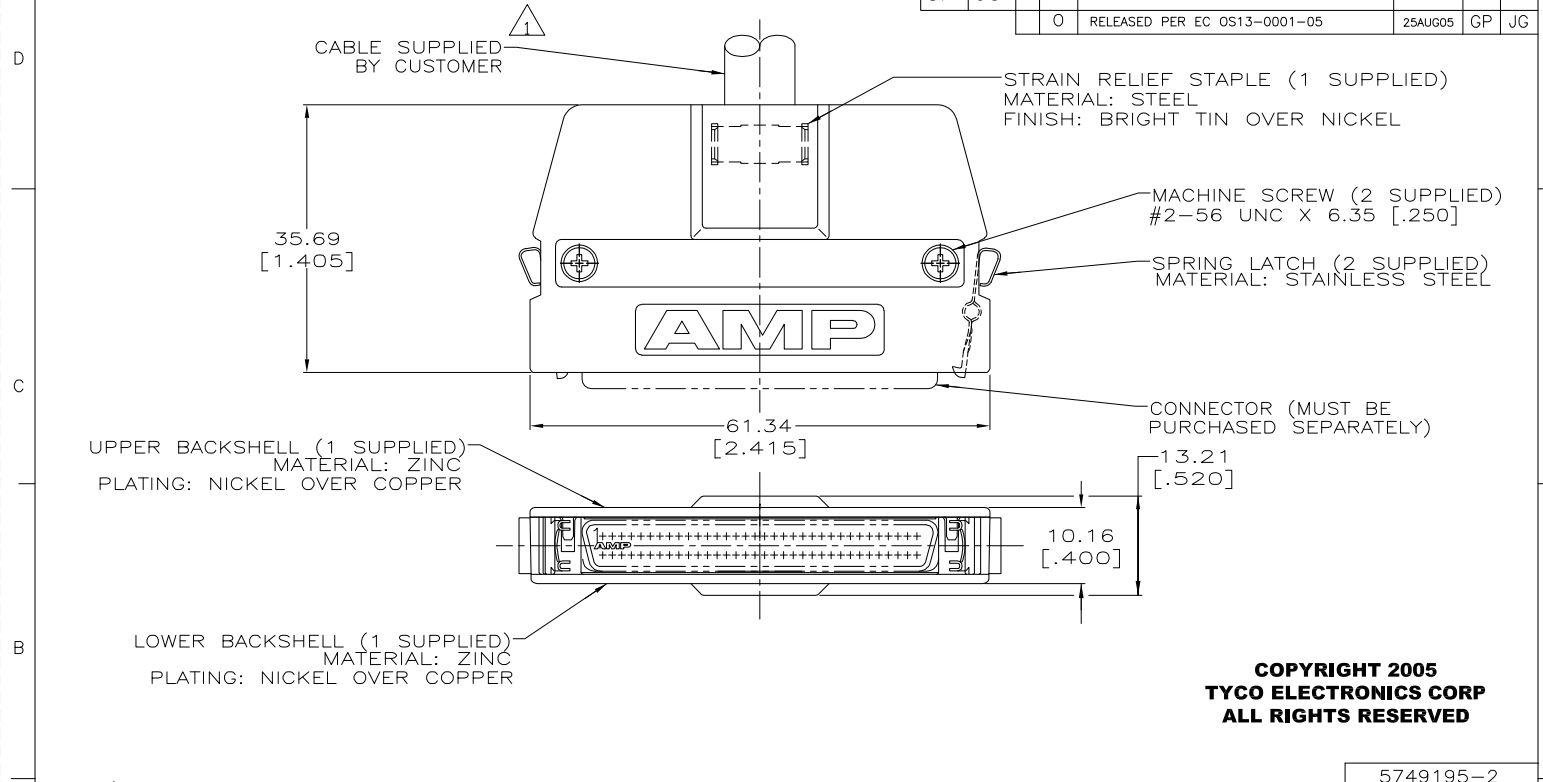


THIS DRAWING IS UNPUBLISHED. RELEASED FOR PUBLICATION
 © COPYRIGHT BY TYCO ELECTRONICS CORPORATION. ALL RIGHTS RESERVED.

LOC	DIST	REVISIONS					
GP	00	P	LTR	DESCRIPTION	DATE	DWN	APVD
		0		RELEASED PER EC OS13-0001-05	25AUG05	GP	JG



**COPYRIGHT 2005
 TYCO ELECTRONICS CORP
 ALL RIGHTS RESERVED**

5749195-2
 PART NO

THIS DRAWING IS A CONTROLLED DOCUMENT.		DWN	25AUG05	tyco Electronics	Tyco Electronics Corporation Harrisburg, Pa 17105-3608				
DIMENSIONS: mm [INCHES]		CHK	25AUG05		APVD	25AUG05	NAME	INDIVIDUAL KIT, UNASSEMBLED, 68 POSITION, STRAIGHT EXIT, UNKEYED, AMPLIMITE .050 Series	
TOLERANCES UNLESS OTHERWISE SPECIFIED: 0 PLC ±- 1 PLC ±- 2 PLC ±- 3 PLC ±0.38[.015] 4 PLC ±- ±- ANGLES ±- ±-		M.WALMSLEY		PRODUCT SPEC		APPLICATION SPEC			
MATERIAL		FINISH		WEIGHT		SIZE	CAGE CODE	DRAWING NO	RESTRICTED TO
-		-		-		A3	00779	©=5749195	-
CUSTOMER DRAWING				SCALE		SHEET		REV	
				1:1		1 OF 1		0	

AMP 1470-19 REV 31MAR2000