

4

3

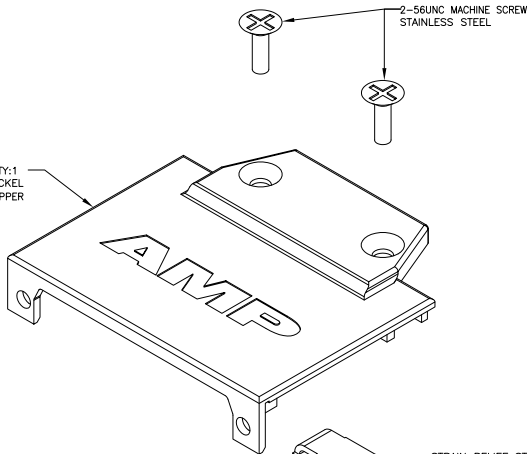
2

1

THIS DRAWING IS UNPUBLISHED. RELEASED FOR PUBLICATION
 © COPYRIGHT 19- BY TYCO ELECTRONICS CORPORATION. ALL RIGHTS RESERVED.

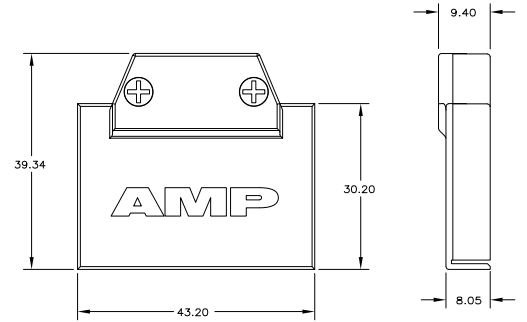
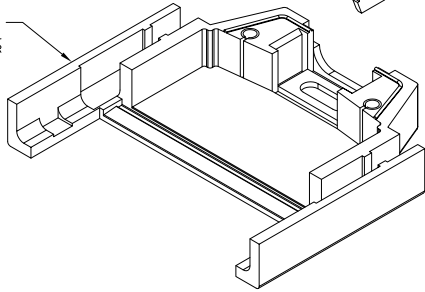
LOC	DIST	REVISIONS			
F	LWR	DESCRIPTION	DATE	BY	APPD
GP	00	A	REVISED PER ECO-08-008770	01AUG2008	EDB/EDB

UPPER BACKSHELL, QTY:1
 ZINC, 2.54µm MIN NICKEL
 OVER 5.08 µm MIN COPPER



STRAIN RELIEF STAPLE
 CARBON STEEL, 1.27µm MIN BRIGHT TIN
 OVER 1.27 µm MIN NICKEL

LOWER BACKSHELL, QTY:1
 ZINC, 2.54µm MIN NICKEL
 OVER 5.08 µm MIN COPPER



ASSEMBLED BACKSHELL KIT
 SCALE 2:1

5788362-1
 PART NUMBER

**COPYRIGHT 2005
 TYCO ELECTRONICS CORP
 ALL RIGHTS RESERVED**

THIS DRAWING IS A CONTROLLED DOCUMENT.		DRN J. ALCORTA 08-01-05	Tyco Electronics Corporation	
		CHK S. SHUEY 08-01-05	Harrisburg, Pa 17105-3608	
DIMENSIONS: mm		APRD M. WALKMSLEY 08-01-05	NAME BACKSHELL KIT, UNASSEMBLED, 68 POSN, CHAMP 0.8mm	
TOLERANCES UNLESS OTHERWISE SPECIFIED:		APPLICATION SPEC:	SIZE A2	CAGE CODE 00779
0 PLG ± -	1 PLG ± -	WEIGHT	00779	5788362
2 PLG ± -	3 PLG ± 0.13	CUSTOMER DRAWING	SCALE 3:1	SHEET 1 of 1
4 PLG ± -	ANGLES ± -			REV A
MATERIAL SEE CALLOUTS	FINISH SEE CALLOUTS			

AMP 1471-9 REV 31MAR2000

5788362

A