

4

3

2

1

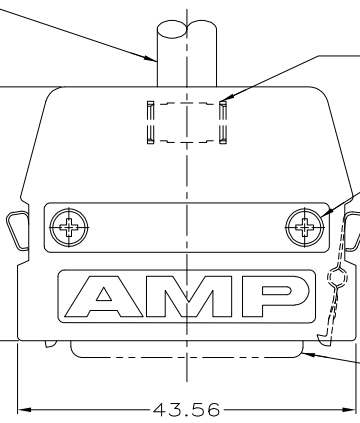
THIS DRAWING IS UNPUBLISHED. RELEASED FOR PUBLICATION
 © COPYRIGHT - BY TYCO ELECTRONICS CORPORATION. ALL RIGHTS RESERVED.

LOC	DIST	REVISIONS					
GP	00	P	LTR	DESCRIPTION	DATE	DWN	APVD
		0		RELEASED PER EC OS13-0001-05	25AUG05	GP	JG

CABLE SUPPLIED BY CUSTOMER



32.77
[1.290]



STRAIN RELIEF STAPLE (1 SUPPLIED)
 MATERIAL: STEEL
 FINISH: BRIGHT TIN OVER NICKEL

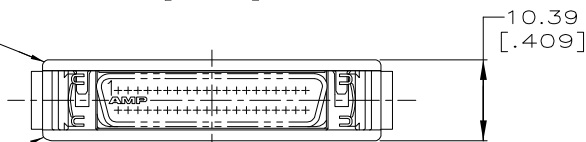
MACHINE SCREW (2 SUPPLIED)
 #2-56 UNC X 6.35 [.250]

SPRING LATCH (2 SUPPLIED)
 MATERIAL: STAINLESS STEEL

CONNECTOR (MUST BE PURCHASED SEPARATELY)

43.56
[1.715]

UPPER BACKSHELL (1 SUPPLIED)
 MATERIAL: ZINC
 PLATING: NICKEL OVER COPPER



10.39
[.409]

LOWER BACKSHELL (1 SUPPLIED)
 MATERIAL: ZINC
 PLATING: NICKEL OVER COPPER

**COPYRIGHT 2005
 TYCO ELECTRONICS CORP
 ALL RIGHTS RESERVED**

5749192-1

PART NO

- 1. 8.13 [.320] MAX CABLE DIA.
- 2. PARTS PACKAGED AS A UNIT KIT.

THIS DRAWING IS A CONTROLLED DOCUMENT.		DWN	G.PETERS	25AUG05		Tyco Electronics Corporation Harrisburg, PA 17105-3608		
DIMENSIONS:		CHK	S.SHUEY	25AUG05		NAME	KIT, UNASSEMBLED, 40 POSITION, STRAIGHT EXIT, UNKEYED, AMPLIMITE .050 Series	
INCHES		APVD	M.WALMSLEY	25AUG05		PRODUCT SPEC	SIZE	CAGE CODE
TOLERANCES UNLESS OTHERWISE SPECIFIED:		APPLICATION SPEC			DRAWING NO	RESTRICTED TO		
0 PLC ± -		WEIGHT			A3	00779	©-5749192	
1 PLC ± -				CUSTOMER DRAWING	SCALE	1:1	SHEET	
2 PLC ± -					1	OF	1	
3 PLC ± 0.38[.105]					REV	0		
4 PLC ± -								
ANGLES ± -								
MATERIAL	FINISH							