

4

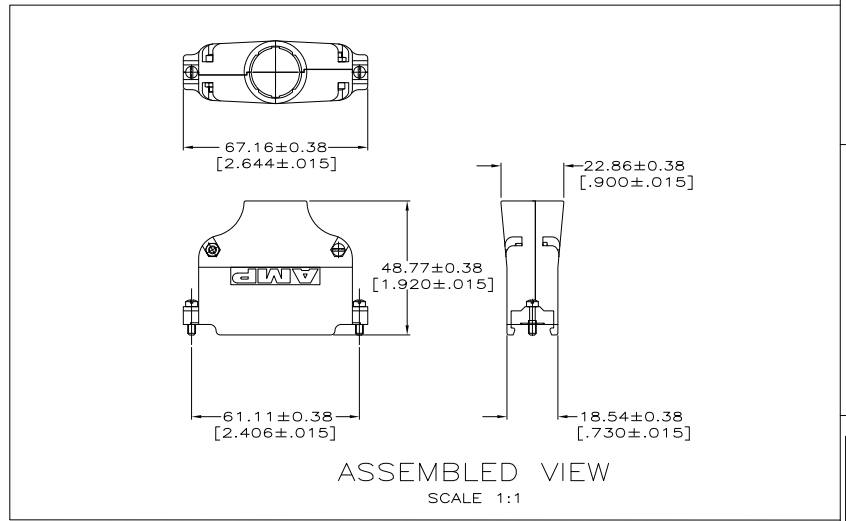
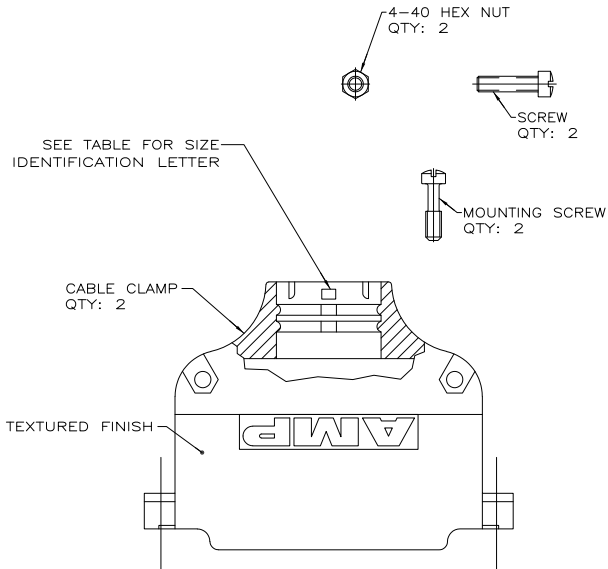
3

2

1

THIS DRAWING IS UNPUBLISHED. RELEASED FOR PUBLICATION
 © COPYRIGHT - By - ALL RIGHTS RESERVED.

LOC	DIST	REVISIONS		
P	LTR	DESCRIPTION	DATE	BY
GP	00			
P		REVISED PER ECO-11-004835	11MAR11	RK HMR



- ⚠ SCREW: CARBON STEEL.
MOUNTING SCREW & HEX NUT: CARBON STEEL.
CABLE CLAMP: ZINC.
- ⚠ SCREWS, MOUNTING SCREWS & HEX NUTS: ZINC PLATE 5.08 μm - 10.16 μm [.000200 - .000400] THICK, CLEAR CHROMATE COATING.
CABLE CLAMP: 5.08 μm [.000200] MIN NICKEL OVER 5.08 μm [.000200] MIN COPPER.

I	9.53	[.375]	5745175-6
L	11.43	[.450]	5745175-5
O	13.34	[.525]	5745175-4
S	15.24	[.600]	5745175-3
U	17.15	[.675]	5745175-2
V	19.05	[.750]	5745175-1
	NECK SIZE I.D.	CABLE DIA	PART NO.

**COPYRIGHT 2005
 TE CONNECTIVITY CORP
 ALL RIGHTS RESERVED**

THIS DRAWING IS A CONTROLLED DOCUMENT.

DIMENSIONS: MM(INCHES) 0 PLC ± - 1 PLC ± - 2 PLC ± - 3 PLC ± - 4 PLC ± - ANGLES ± - FINISH	TOLERANCES UNLESS OTHERWISE SPECIFIED: 0.13 [.005] 0.25 [.010] 0.50 [.020] 1.27 [.050]	DESIGNED BY: D. HENNY DATE: 8-13-05 CHECKED BY: R. ROHDE DATE: 8-13-05 DRAWN BY: M. WALMSLEY DATE: 8-13-05 APPLICATION SPEC: - WEIGHT: - CUSTOMER DRAWING	NAME: M. WALMSLEY PRODUCT SPEC: - SIZE: A2 CASE CODE: 00779 DRAWING NO: C-5745175 SCALE: 2:1 SHEET: 1 of 1 REV: P	
--	--	---	--	--

CABLE CLAMP KIT, UNASSEMBLED, SIZE 5, 50 POSITION, 180DEG, AMPLIMITE SERIES