

4

3

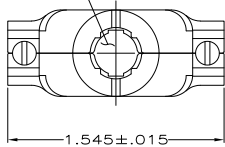
2

1

THIS DRAWING IS UNPUBLISHED. RELEASED FOR PUBLICATION. ALL RIGHTS RESERVED.

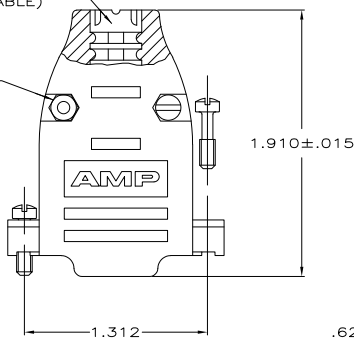
LOC	DIST	REVISIONS		
P	LTR	DESCRIPTION	DATE	BY
GP	00			
P		REVISED PER ECO-11-004835	11MAR11	RK HMR

OPENING FOR CABLE
(SEE DASH NO FOR DIA)



SIZE IDENTIFICATION
LETTER MOLDED HERE
(SEE TABLE)

#4-40 FILLISTER HEAD
STEEL SCREW
& HEX NUT
2 REQD.



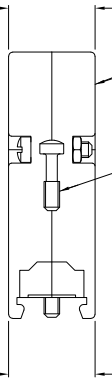
.620 ± .015

1.910 ± .015

.620 ± .015

CABLE CLAMP
MATERIAL: FLAME RETARDANT THERMOPLASTIC
FINISH: BRIGHT NICKEL OVER BRIGHT COPPER

#4-40 FILLISTER HEAD SCREW
STEEL
2 REQD.



1. ALL PARTS PACKAGED UNASSEMBLED.
2. THIS KIT CONSISTS OF 2 STRAIN RELIEF HALVES, 2 #4-40 SCREWS, 2 #4-40 NUTS & 2 #4-40 MOUNTING SCREWS.

ZINC PLATED .000200-.000400 THICK,
CLEAR CHROMATE COATING.

B	.225	5747099-7
E	.300	5747099-5
H	.375	5747099-3
K	.430	5747099-1
SIZE IDENT LETTER	CABLE DIA	PART NO.

**COPYRIGHT 2005
TE CONNECTVITY CORP
ALL RIGHTS RESERVED**

DIMENSIONS:		DRAWN BY:		DATE:	
INCHES		D. HENRY		8-15-05	
OTHER DIMENSIONS:		C. ROHDE		8-15-05	
0 PLC		M. WALMSLEY		8-15-05	
1 PLC		NAME		CABLE CLAMP KIT, SIZE 2, 15 POSITION, 180 DEG, AMPLITE SERIES, PLATED PLASTIC	
2 PLC		APPLICATION SPEC		SIZE	
3 PLC		PRODUCT SPEC		CASE CODE	
4 PLC		WEIGHT		DRAWING NO	
ANGLES		FINISH		A200779	
SEE CALLOUTS		SEE CALLOUTS		C=5747099	
		CUSTOMER DRAWING		RESTRICTED TO	
				SCALE 1:1 SHEET 1 of 1 REV P	