

4

3

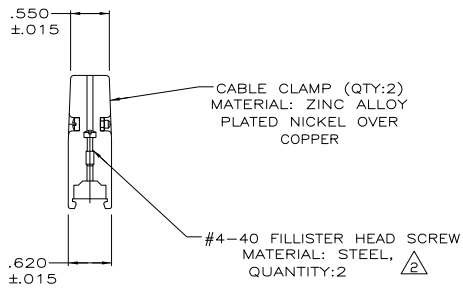
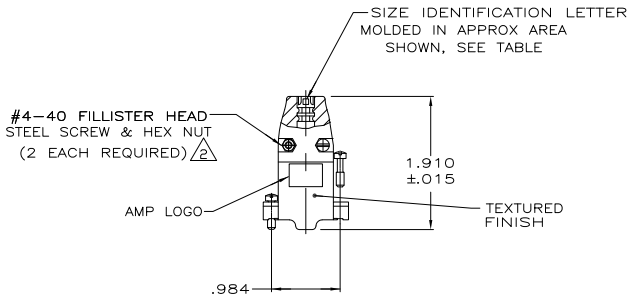
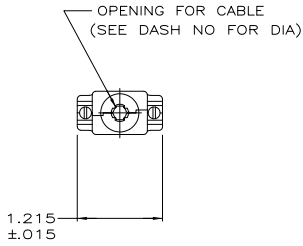
2

1

THIS DRAWING IS UNPUBLISHED. RELEASED FOR PUBLICATION
 © COPYRIGHT - By - ALL RIGHTS RESERVED.

LOC	DIST	REVISIONS				
GP	00	P	LR	DATE	BY	APPD
		P		REVISED PER ECO-11-005033	23MAR11	RK HMR

- 1. PARTS PACKAGED UNASSEMBLED.
- ZINC PLATED .000200-.000400 THICK, CLEAR CHROMATE COATING.



H	.370	5745171-5
A	.200	5745171-2
C	.250	5745171-1
NECK IDENT CABLE DIA		PART NO

**COPYRIGHT 2005
 TE CONNECTIVITY
 ALL RIGHTS RESERVED**

THIS DRAWING IS A CONTROLLED DOCUMENT.		DR	MCMASTER	28ALV05
DIMENSIONS: INCHES		DR	ROHDE	28ALV05
OTHER DIMENSIONS: MILLIMETERS		APPD	M. WALMSLEY	28ALV05
OTHER DIMENSIONS: DECIMALS		PRODUCT SPEC		
APPLICATION SPEC		SIZE	CAGE CODE	DRAWING NO
MATERIAL		WEIGHT	A2	00779
FINISH		CUSTOMER DRAWING	C	5745171
SEE CALLOUTS		SCALE		1:1
SEE CALLOUTS		SHEET		1 of 1
		REV		P