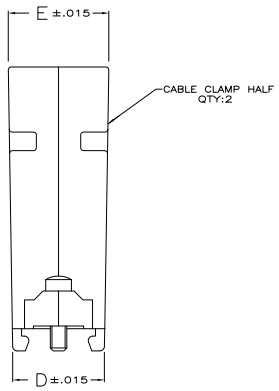
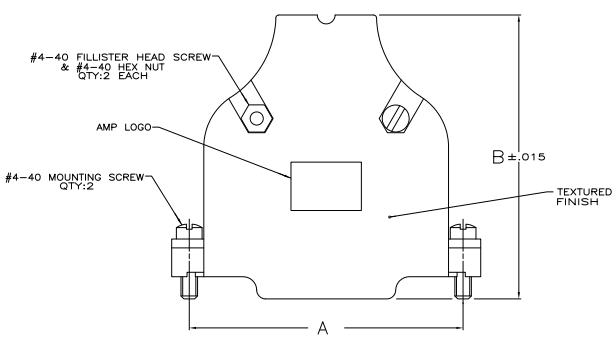
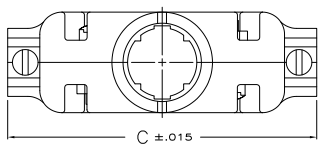
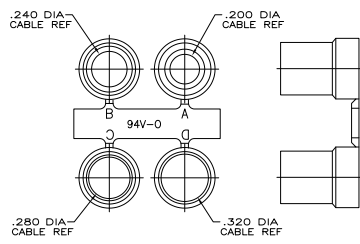


THIS DRAWING IS UNPUBLISHED  
 ALL RIGHTS RESERVED

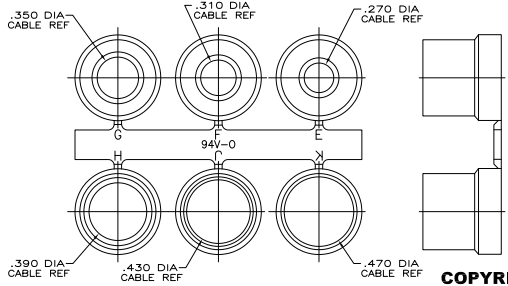
REV	DATE	DESCRIPTION	BY	CHK	APP
00					
A1		REVISED PER EDD-11-004835			



- PARTS PACKAGED UNASSEMBLED AS A UNIT KIT.
- CABLE CLAMP HALVES: ZINC ALLOY, FILLISTER HEAD SCREWS, HEX NUTS & MOUNTING SCREWS: STEEL  
GROMMETS: FLEXIBLE PVC, UL 94V-0 RATED, COLOR: BLACK.
- CABLE CLAMP HALVES: NICKEL OVER COPPER, FILLISTER HEAD SCREWS, HEX NUTS & MOUNTING SCREWS: ZINC PLATED .000200-.000400 THICK, CLEAR CHROMATE COATING.
- OBsolete



GROMMET ASSORTMENT FOR SIZES 1 & 2 ONLY



GROMMET ASSORTMENT FOR SIZES 3, 4 & 5 ONLY

PACKAGING	E	D	C	B	A	SIZE	PART NO.
BULK PACK	.680	.620	2.090	1.920	1.852	3	5748676-9
STANDARD	.900	.730	2.644	1.920	2.406	5	5748676-5
STANDARD	.800	.620	2.738	1.920	2.500	4	5748676-4
STANDARD	.680	.620	2.090	1.920	1.852	3	5748676-3
STANDARD	.620	.620	1.545	1.910	1.312	2	5748676-2
STANDARD	.550	.620	1.215	1.910	.984	1	5748676-1

**COPYRIGHT 2005  
 TE CONNECTIVITY CORP  
 ALL RIGHTS RESERVED**

THIS DRAWING IS A CONTROLLED DOCUMENT. **TE** TE Connectivity

DESIGNED BY: J. HENNY  
 DRAWN BY: R. BODDE  
 CHECKED BY: M. WILMSLEY  
 APPROVED BY: J. HENNY

DATE: 11/11/05  
 SIZE: A1  
 DRAWING NO: 00779  
 PART NO: 5748676

DESCRIPTION: KIT, CABLE CLAMP, 180 DEG EXIT, W/GROMMETS, AMPLIMITE SERIES

CUSTOMER DRAWING