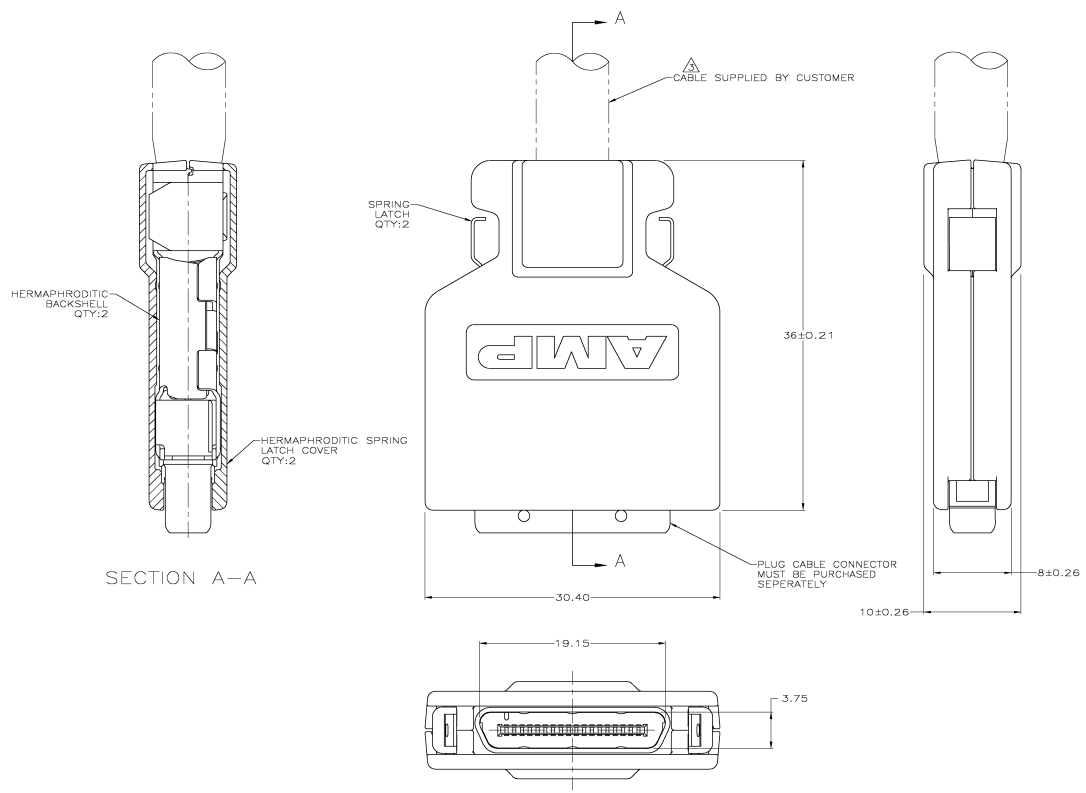


THIS DRAWING IS UNCLASSIFIED  
 UNLESS INDICATED OTHERWISE  
 ALL RIGHTS RESERVED

REV	DATE	DESCRIPTION	BY	CHK	APP
00					
1		REDRAWN PER EC DS13-0148-04		TS	JG



- △ MATERIAL:  
 HERMAPHRODITIC BACKSHELL- STEEL.  
 SPRING LATCH- STAINLESS STEEL.  
 HERMAPHRODITIC SPRING LATCH COVER- UL 94V-0 RATED  
 ABS MOLDING COMPOUND, COLOR-BLACK.
- △ PLATING:  
 HERMAPHRODITIC BACKSHELL- 5µm MIN BRIGHT NICKEL OVER  
 2.5µm MIN COPPER.
- △ RECOMMENDED WIRE: 30 AWG WITH A 0.56-0.64 INSULATION DIAMETER.  
 WIRE MUST BE APPROVED BY AMP ENGINEERING.

OBsolete.	INDIVIDUAL KIT	787231-2
	BULK, 100 KITS	787231-1
	PACKAGING	PART NUMBER

THIS DRAWING IS A CONTROLLED DOCUMENT.		DATE	REVISED	BY	CHK	APP
DATE	REVISED	BY	CHK	APP	Title Electronics Corporation Harrisburg, Pa 17105-3608	
DATE	REVISED	BY	CHK	APP	M. MALONEY 10B-1471 REVISED PER SOLUTION 502	
DATE	REVISED	BY	CHK	APP	SEE	DATE CODE DRAWING NO. RESTRICTED TO
DATE	REVISED	BY	CHK	APP	A1	007798 787231
MATERIAL		PART		WEIGHT		RESTRICTED TO
CUSTOMER DRAWING		SCALE		SHEET		OF
		5:1		1		1