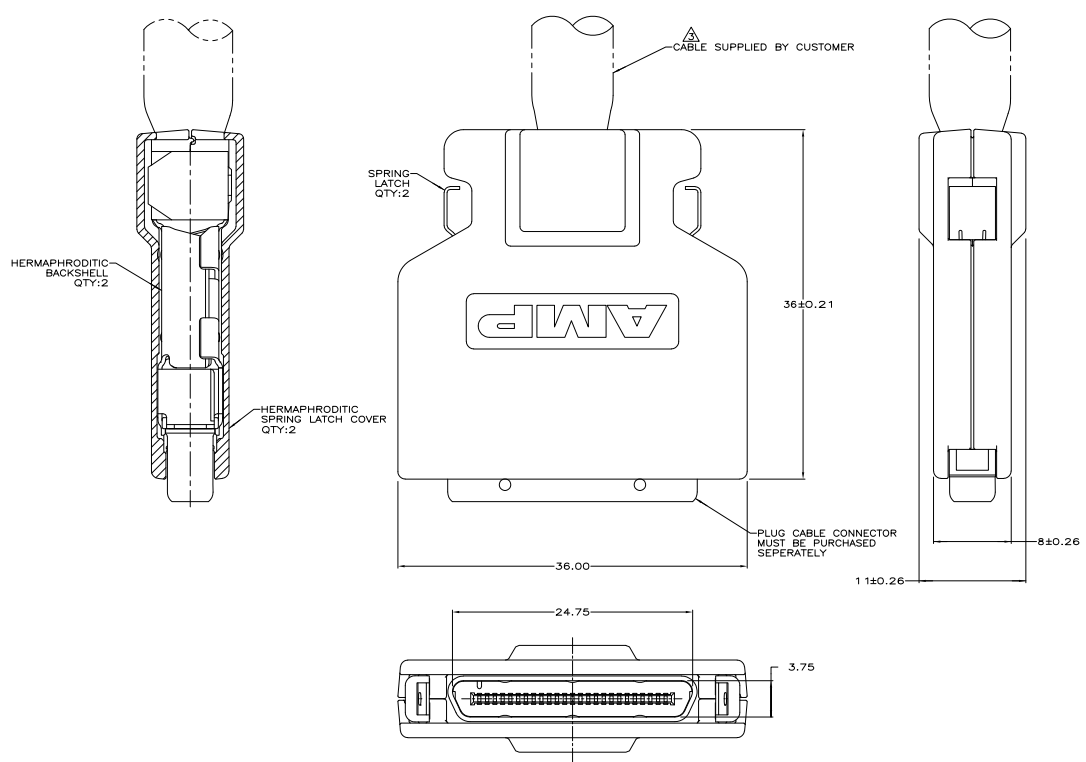


THIS DRAWING IS UNPUBLISHED. RECEIVED FOR INFORMATION  
 © AMP INC. IN THE ELECTRONICS CORPORATION. ALL RIGHTS RESERVED.

REV	DATE	DESCRIPTION	BY	CHK	APP
GP 00					
C1		REVISED PER ECO-06-004923	DMUG06	BM	SS



- △ MATERIAL:  
 HERMAPHRODITIC BACKSHELL- STEEL.  
 SPRING LATCH- STAINLESS STEEL.  
 HERMAPHRODITIC SPRING LATCH COVER- UL 94V-0 RATED  
 ABS MOLDING COMPOUND, COLOR-BLACK.
- △ PLATING:  
 HERMAPHRODITIC BACKSHELL- 5µm MIN BRIGHT NICKEL OVER  
 2.5µm MIN COPPER.
- △ RECOMMENDED WIRE: 30 AWG WITH A 0.56-0.64 INSULATION DIAMETER,  
 WIRE MUST BE APPROVED BY AMP ENGINEERING.

OBSELETE	INDIVIDUAL KIT	787133-2
	BULK KIT	787133-1
	PACKAGING TYPE	PART NUMBER

THIS DRAWING IS A CONTROLLED DOCUMENT.

DESIGNED BY	DATE	REVISED BY	DATE
DR			
CHECKED BY	DATE	REVISED BY	DATE
MP			
APPROVED BY	DATE	REVISED BY	DATE

TITLE: BACKSHELL KIT, 50 POSITION, SQUEEZE TO RELEASE.  
 CABLE CONNECTOR, 0.50mm CHAMP  
 SIZE: 108-1471  
 DATE: 00779  
 DRAWING NO: 787133  
 CUSTOMER DRAWING  
 SHEET: 5:1 OF 1