

4

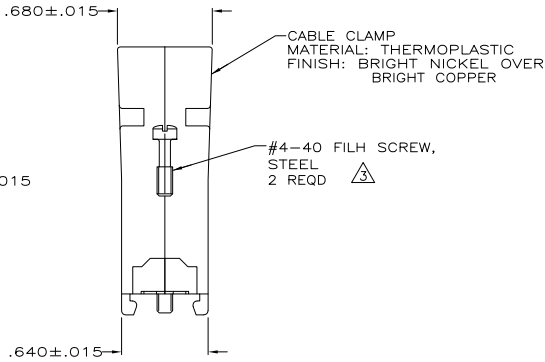
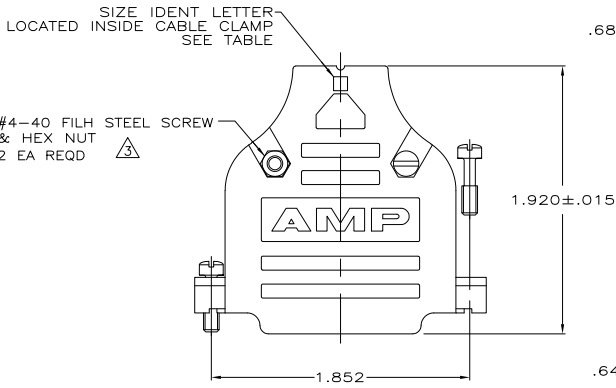
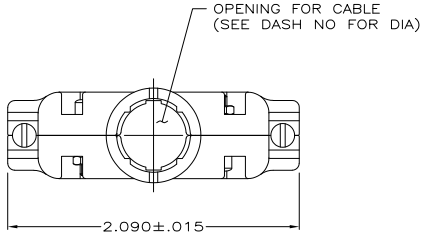
3

2

1

THIS DRAWING IS UNPUBLISHED. RELEASED FOR PUBLICATION
 © COPYRIGHT - By - ALL RIGHTS RESERVED.

LOC	DIST	REVISIONS			
P	LR	DESCRIPTION	DATE	BY	APPD
GP	00				
	A1	REVISED PER ECO-11-004835	11MAR11	RK	HMR



1. ALL PARTS PACKAGED UNASSEMBLED.
 2. THIS KIT CONSISTS OF 2 STRAIN RELIEF HALVES, 2 #4-40 SCREWS, 2 #4-40 NUTS & 2 #4-40 MOUNTING SCREWS.
- Z** ZINC PLATED .000200-.000400 THICK, CLEAR CHROMATE COATING.

	D	.280	5745833-9
	G	.350	5745833-7
	K	.430	5745833-5
OBSOLETE	M	.480	5745833-3
	P	.530	5745833-1
	SIZE IDENT LETTER	CABLE DIA	PART NO.

**COPYRIGHT 2005
 TE CONNECTIVITY CORP
 ALL RIGHTS RESERVED**

THIS DRAWING IS A CONTROLLED DOCUMENT.		DR	D. HENRY	8-13-05
DIMENSIONS: INCHES		CHK	R. RHODE	8-13-05
TOLERANCES UNLESS OTHERWISE SPECIFIED:		APPD	M. WALMSLEY	8-13-05
Ø	PLC	NAME		
1	PLC	CABLE CLAMP KIT, SIZE 3, 25 POSN, 180 DEG.		
2	PLC	AMPLITE SERIES, PLATED PLASTIC		
3	PLC	APPLICATION SPEC		
4	PLC	SIZE CASE CODE (DRAWING NO)		
ANGLES	PLC	RESTRICTED TO		
FINISH	PLC	A2 00779 ©=5745833		
MATERIAL	SEE CALLOUTS	CUSTOMER DRAWING		
SCALE	1:1	SHEET	1 of 1	REV A1