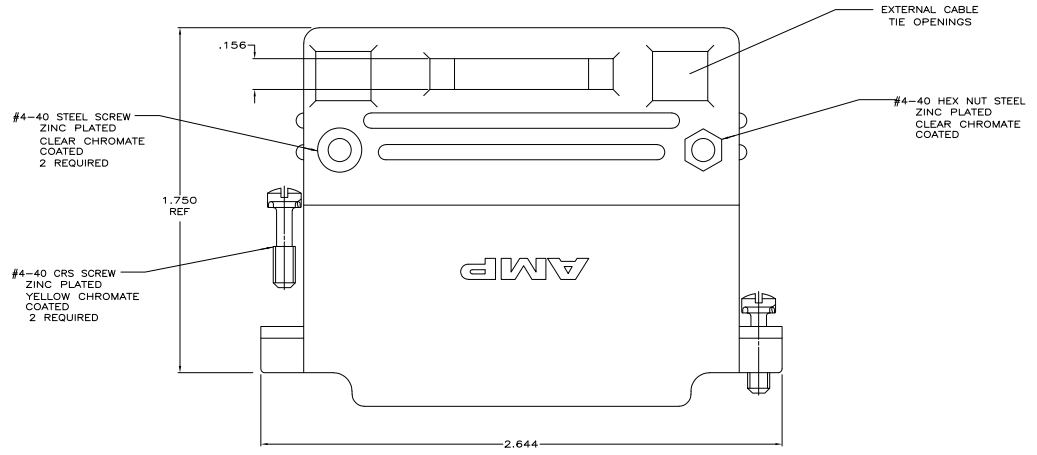
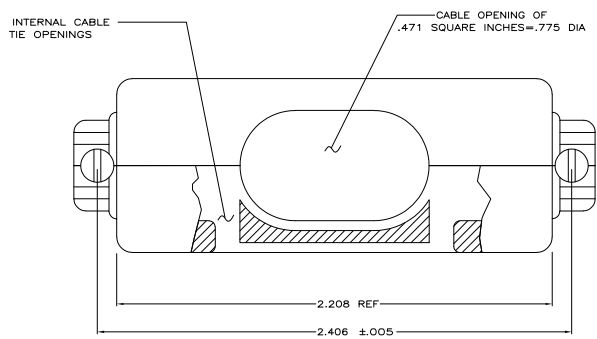
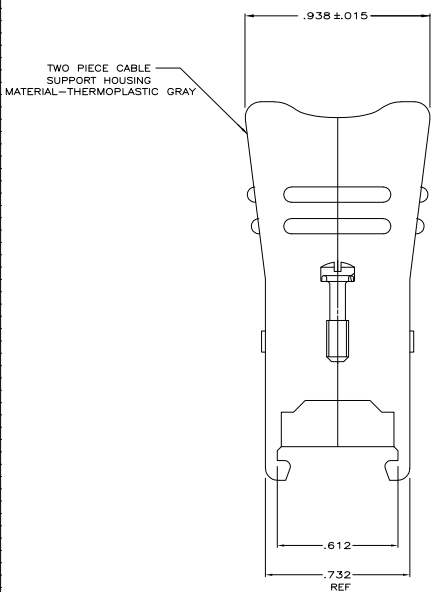


THIS DRAWING IS UNPUBLISHED. RELEASED FOR PUBLICATION
 © SPRINGER 2004 BY THE ELECTRONICS CORPORATION. ALL RIGHTS RESERVED.

REVOLUTIONS		DATE	BY	APP'D
GP	00			
DESCRIPTION		RELEASED PER EC0313-0221-05		
		14SEP06	RR	JG

- 1 THIS PART WILL FIT ANY SIZE 5 PLUG OR RECEPTACLE IN THE AMPLIMITE SERIES CONNECTOR.
 - 2 ALL PARTS ARE PACKAGED UNASSEMBLED.
- ⚠ ONE KIT PER POLY BAG.



⚠	5745082-1
PACKAGING	PART NUMBER

THIS DRAWING IS A CONTROLLED DOCUMENT.		BY: RICHMOND	DATE: 11/15/05	APPROVED: Raytheon	THIS DRAWING IS A CUSTOMER DRAWING
DESIGNED: M. WILMSLEY	ENGINEER: M. WILMSLEY	DATE: 11/15/05	DATE: 11/15/05	DATE: 11/15/05	DATE: 11/15/05
DRAWN: M. WILMSLEY	CHECKED: M. WILMSLEY	DATE: 11/15/05	DATE: 11/15/05	DATE: 11/15/05	DATE: 11/15/05
APPROVED: M. WILMSLEY	DATE: 11/15/05	DATE: 11/15/05	DATE: 11/15/05	DATE: 11/15/05	DATE: 11/15/05
DATE: 11/15/05	DATE: 11/15/05	DATE: 11/15/05	DATE: 11/15/05	DATE: 11/15/05	DATE: 11/15/05
DATE: 11/15/05	DATE: 11/15/05	DATE: 11/15/05	DATE: 11/15/05	DATE: 11/15/05	DATE: 11/15/05
DATE: 11/15/05	DATE: 11/15/05	DATE: 11/15/05	DATE: 11/15/05	DATE: 11/15/05	DATE: 11/15/05
DATE: 11/15/05	DATE: 11/15/05	DATE: 11/15/05	DATE: 11/15/05	DATE: 11/15/05	DATE: 11/15/05
DATE: 11/15/05	DATE: 11/15/05	DATE: 11/15/05	DATE: 11/15/05	DATE: 11/15/05	DATE: 11/15/05
DATE: 11/15/05	DATE: 11/15/05	DATE: 11/15/05	DATE: 11/15/05	DATE: 11/15/05	DATE: 11/15/05

02MARG6 11:18am 4/12/23 H:\0\m\4\0221\5745082_1-c.dwg