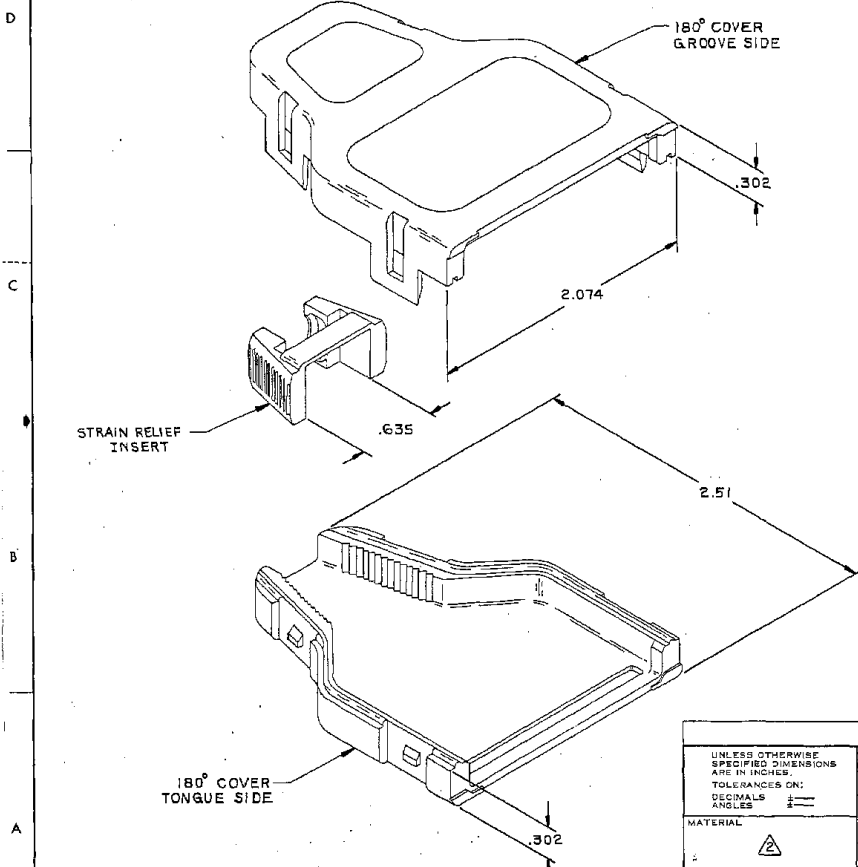


DRAWING MADE IN THIRD ANGLE PROJECTION

CP 1 00

THIS DRAWING IS UNPUBLISHED. RELEASED FOR PUBLICATION  
 © COPYRIGHT 1986 BY AMP INCORPORATED, HARRISBURG, PA. ALL INTERNATIONAL RIGHTS RESERVED. AMP PRODUCTS MAY BE COVERED BY U.S. AND FOREIGN PATENTS AND/OR PATENTS PENDING.

REV ISIONS		DATE APPROVED
#	DESCRIPTION	
1	REVISED PER EC 0511-0218-03	08/28/94 JG



1. ALL DIMENSIONS SHOWN ARE MAXIMUM UNLESS OTHERWISE SPECIFIED.
2. MATERIAL: COVERS—POLYPHENYLENE OXIDE, BLACK. STRAIN RELIEF—POLYPROPYLENE, BLACK. LOMOD, BLACK.
3. CABLE RANGE: .250-.500 DIAMETER.
4. THIS KIT SHIPPED NOT ASSEMBLED.

554945

POLY BAG	554945-1
PACKAGED	PART NO

UNLESS OTHERWISE SPECIFIED DIMENSIONS ARE IN INCHES. TOLERANCES ON: DECIMALS ANGLES	CONTRACT NO	AMP INCORPORATED Harrisburg, Pa. 17105	
	DR <i>J. Grant</i> 3/18/86	NAME	COVER KIT, 180°, 36 POSITION, SHIELDED CHAMP
MATERIAL	CHK <i>B. Fox</i> 4/22/86	APPRO	
FINISH	B. Huxford 5/27/86	SIZE	FROM NO
	APPRO <i>B. Huxford</i> 5-27-86	C	00779
OTHER APPRO	DRGN APPRO	DRAWING NO	554945
		SCALE	2:1
		SHEET	1 OF 1

AMP 1471-66 REV B-01

CUSTOMER DRAWING