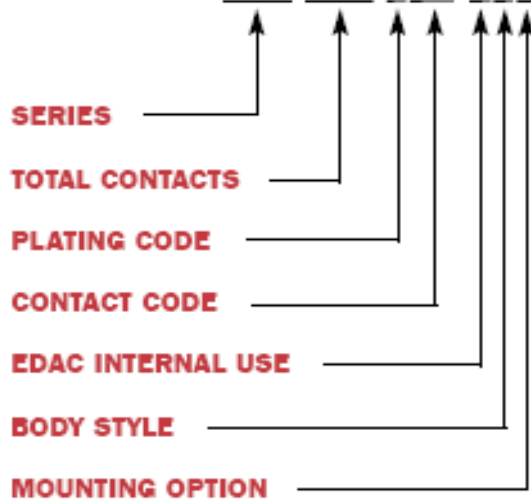




637/638 SERIES ORDERING CODE

Example:

637-015-230-047



SERIES

637Plug
638Receptacle

TOTAL CONTACTS

015, 026, 044, 062, 078

PLATING CODE

2Gold Flash (Class 3)
315μ" (0.38μm) (Class 2)
630μ" (0.76μm) (Class 1)

CONTACT CODE

30Low profile PC tails, .157" (4.00mm)
31High profiles PC tails, .169" (4.30mm)
22/32Solder cup

EDAC INTERNAL USE

0Indicates generic internal use code

BODY STYLE

4Metal covered .276" (7.00mm) low profile
5Metal covered .472" (12.00mm) high profile
 (15-/26-pin)

MOUNTING OPTION

1125" (3.18mm) dia. through-hole
2#4-40 UNC threaded inserts
3#4-40 UNC threaded standoffs
6#4-40 UNC threaded insert w/ boardlocks
7#4-40 UNC threaded standoff w/ boardlocks
8#4-40 UNC threaded fixed standoffs

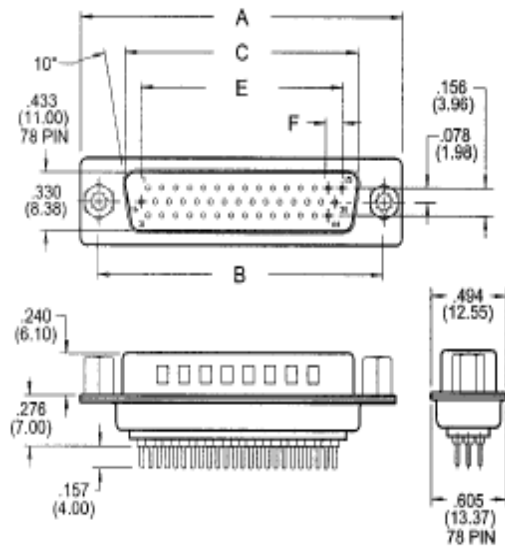
FOR MORE INFORMATION PLEASE EMAIL edac@edac.net

Phone: 416-754-3322

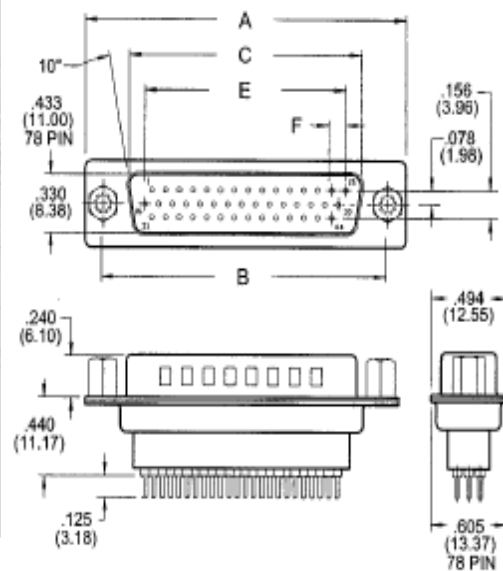
Fax: 416-754-3299

PLUG 637 SERIES

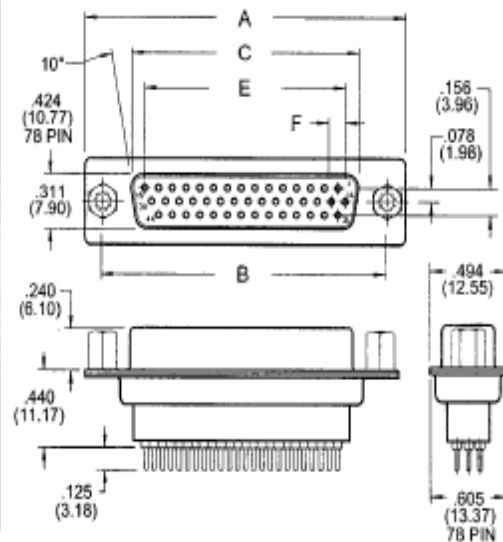
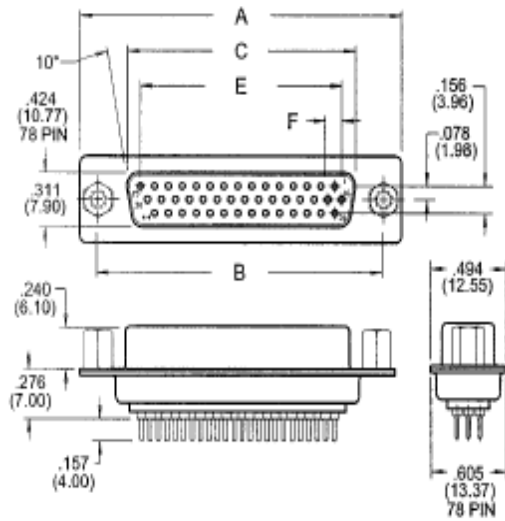
LOW PROFILE



HIGH PROFILE



RECEPTACLE 638 SERIES



NUMBER OF CONTACTS	A		B		C PLUG		C RECEPTACLE		E		F	
	Inch	(mm)	Inch	(mm)	Inch	(mm)	Inch	(mm)	Inch	(mm)	Inch	(mm)
15	1.214	(30.84)	.984	(24.99)	.867	(16.92)	.640	(16.26)	.405	(10.29)	.090	(2.29)
26	1.545	(39.24)	1.312	(33.32)	.994	(25.25)	.967	(24.56)	.765	(19.43)	.090	(2.29)
44	2.068	(53.04)	1.852	(47.04)	1.534	(38.96)	1.508	(38.30)	1.305	(33.15)	.090	(2.29)
62	2.730	(69.34)	2.500	(63.50)	2.182	(55.42)	2.156	(54.76)	1.947	(49.45)	.095	(2.41)
78	2.635	(66.93)	2.406	(61.11)	2.090	(53.08)	2.064	(52.43)	1.805	(45.85)	.095	(2.41)

**FOR MORE INFORMATION PLEASE EMAIL edac@edac.net
Phone: 416-754-3322 Fax: 416-754-3299**