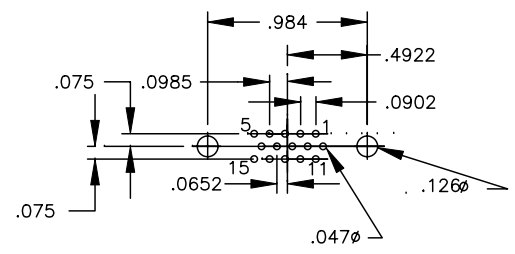
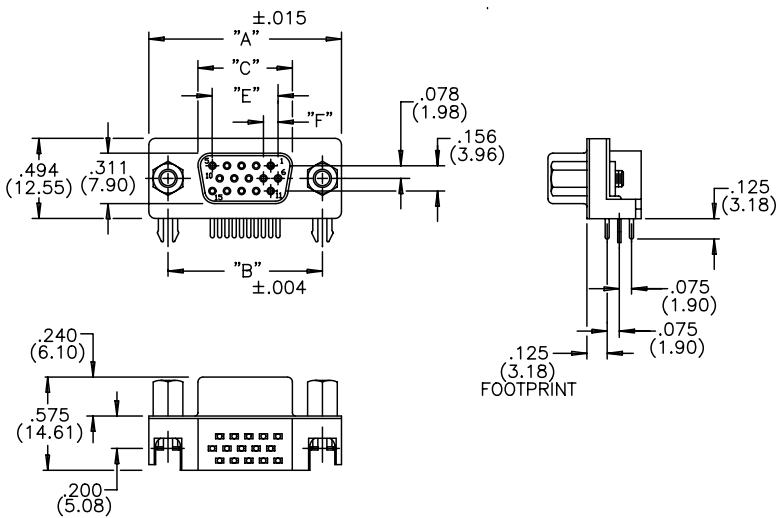


DESCRIPTION: HIGH DENSITY .125" FOOTPRINT FEMALE



MATERIALS:
 INSULATOR: NYLON 9T, UL94V-0 – 260°C PROCESS TEMP. CHEMICAL RESISTANCE, COLOR BLACK
 SHELL: STEEL, NICKEL PLATED
 CONTACT: PHOSPHOR BRONZE
 GOLD FLASH IN MATING AREA
 TIN PLATING ON TAIL ENDS
 RoHS COMPLIANT


ELECTRICAL:
 CURRENT RATING: 2 AMPERES
 DIELECTRIC WITHSTANDING VOLTAGE: 1000VAC rms AT SEA LEVEL
 INSULATION RESISTANCE: 5000 MEGOHMS MIN.
 CONTACT RESISTANCE: 10 MILLIOHMS MAX.
 WORKING TEMPERATURE: -55° TO +125° C

193-015-213RXX1

SERIES _____
 NUMBER OF CONTACTS _____
 GENDER _____
 2 = FEMALE (NO GROUND INDENTS)
 PC MOUNT _____
 3 = NICKEL SHELL _____

HARDWARE OPTIONS: _____
 53 = 4-40 INSERT WITH BOARD LOCKS
 56 = 4-40 STANDOFFS WITH BOARD LOCKS

NUMBER OF CONTACTS	"A" Inch (mm)	"B" Inch (mm)	"C" Inch (mm)	"E" Inch (mm)	"F" Inch (mm)
15	1.214(30.84)	.984 (24.99)	.642 (16.30)	.405 (10.29)	.090 (2.29)

 <p>THESE DRAWINGS AND SPECIFICATIONS ARE THE PROPERTY OF NorComp AND SHALL NOT BE REPRODUCED, COPIED OR USED AS THE BASIS FOR THE MANUFACTURE OF SALE OF APPARATUS WITHOUT WRITTEN PERMISSION.</p>	DRAWN: PAM JENKINS	DATE: 9-15-05
	CHECKED:	DATE:
	SCALE:	SHEET 1 OF 1
DWG NO. 193-015-213RXX1		

NorComp