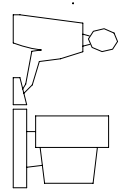
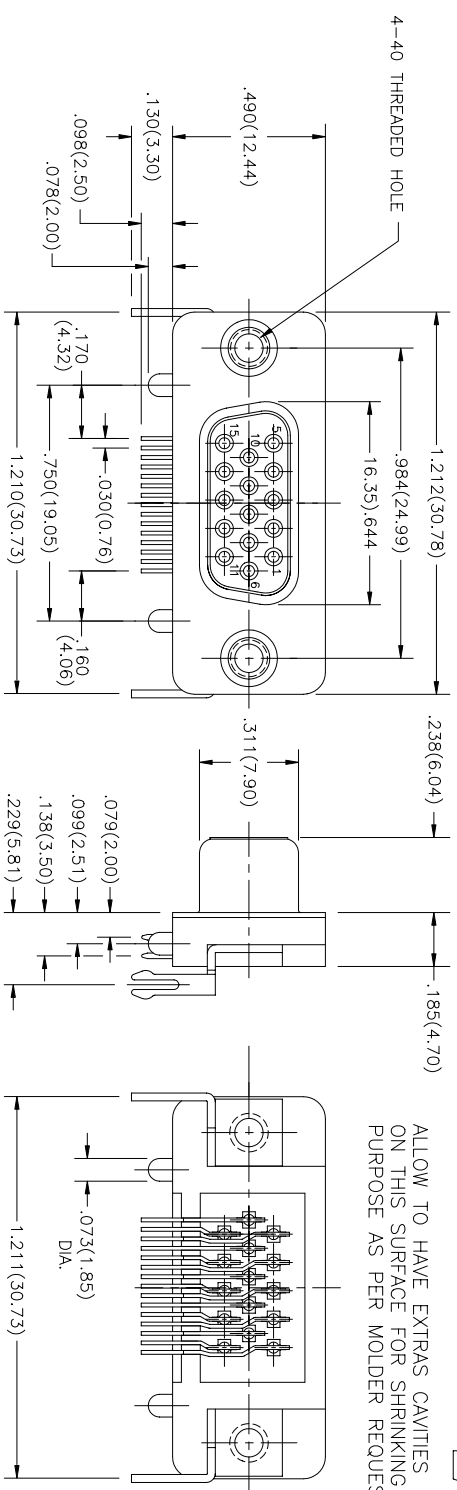


THIS IS A C.A.D. GENERATED DRAWING
DO NOT MAKE MANUAL REVISIONS TO MASTER.



ALLOW TO HAVE EXTRAS CAVITIES
ON THIS SURFACE FOR SHRINKING
PURPOSE AS PER MOLDER REQUEST

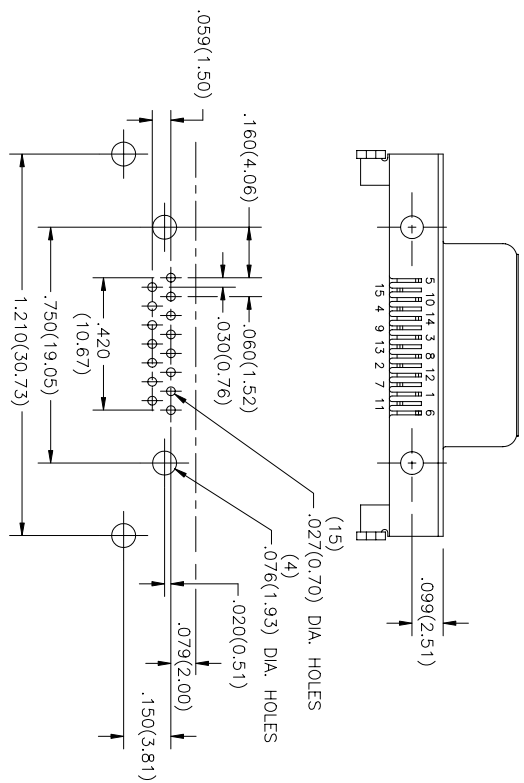


MATERIALS AND FINISH

- 1: STEEL, NICKEL PLATED
- 2: INSULATOR, NYLON 6T, COLOR PANTONE BLUE #2935U
- 3: CONTACTS: PHOSPHOR BRONZE, GOLD PLATED ON CONTACT AREA TIN ON TAILS OVER NICKEL
- 4: BOARD LOCKS, BRASS TIN PLATED
- 5: RIVETS, BRASS NICKEL PLATED

SPECIFICATIONS

CURRENT RATING: 1 AMP MAX.
INSULATION RESISTANCE: 1000 MEGOHMS MIN. AT 500 VDC
DWD: 500 VAC rms FOR 1 MINUTE
CONTACT RESISTANCE: 30 MILLOHMS MAX.
TEMPERATURE RATING: -40°C +230°C
PROCESSING TEMPERATURE: +265°C FOR 10 SEC.
CONTACT POSITION 9th RECESSED



634 SERIES HDD SUBMINIATURE CONNECTOR
15 CONTACTS RECEPTACLE(SOCKET) RIGHT ANGLE ULTRA SLIM

EDAC INC TORONTO, ONTARIO CANADA		THESE DRAWINGS AND SPECIFICATIONS ARE THE PROPERTY OF EDAC INC. AND SHALL NOT BE REPRODUCED, OR COPIED OR USED AS THE BASIS FOR THE MANUFACTURE OR SALE OF APPARATUS WITHOUT WRITTEN PERMISSION.
YOUR CONNECTION TO QUALITY & SERVICE		DRAWN: F. BRIONES DATE: JUNE 20/05
634-015-274-990		CHECKED: DATE:
PART NUMBER		PROCESSING TEMP. ADDED F. BRIONES DEC. 12/05
DRAWING NUMBER 634-015-274-990		ORIGINAL
ISSUE 3		ROHS STATEMENT ADDED. R. BLAKELY NOV 30/05



THIS SERIES FULLY CONFORMS TO THE
EUROPEAN UNION DIRECTIVES 2002/95/EC
AND 2002/96/EC FOR ROHS COMPLIANCY.