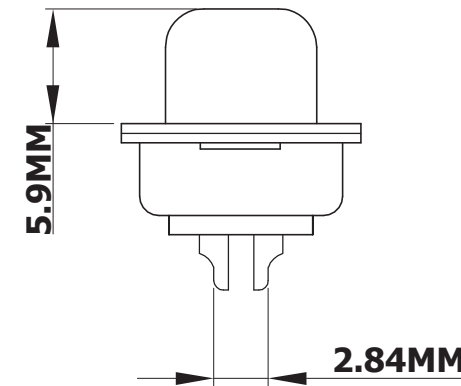
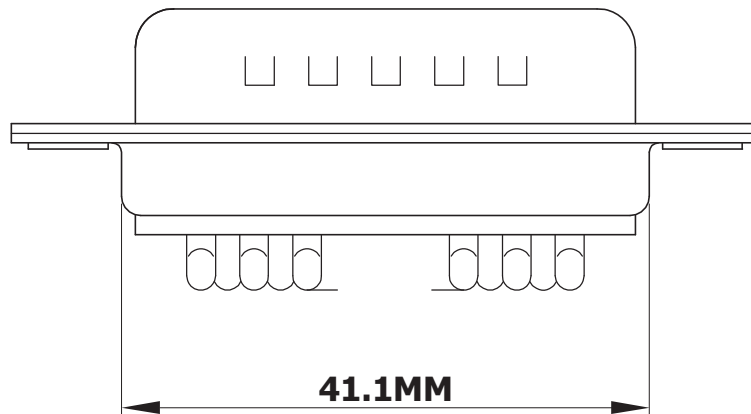


Material:

- Insulator: PBT, rated UL94V-0
- Contacts: Brass
- Shell: Steel
- Contact Plating: Gold Flash/Nickel

Electrical:

- Operation Voltage: 250V AC Max.
- Current Rating: 3 Amps Max.
- Contact Resistance: 15MΩ Max.
- Insulation Resistance: 3,000MΩ Min@500V DC
- Dielectric Withstanding Voltage: 1,000V AC/minute
- Operating Temperature: -55°C ~ +105°C



⊕ = Assmann logo



<i>ITEM NO.</i>	A-DS15LL-TL-B-R
<i>TITLE</i>	D-Sub Stamped Connector, Male 15Pin, Solder Cup w/o Treated Inserts

ASSMANN
Electronics, Inc.

1840 W. Drake Drive, Suite 101 • Tempe, AZ 85283
Toll Free: 1-877-277-6266 • Email: info@usa-assmann.com

THIS DRAWING IS UNPUBLISHED
©Copyright 2009 by Assmann Electronic Components
All International Rights Reserved