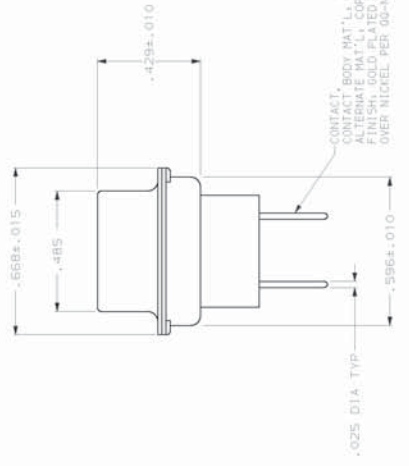
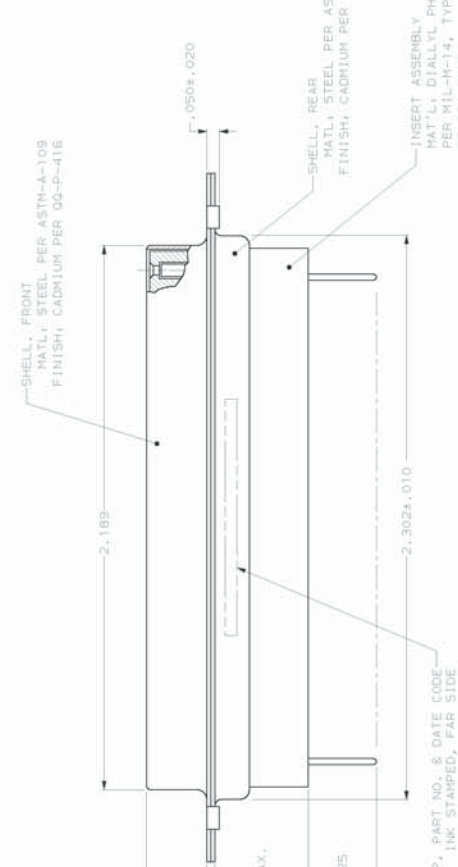
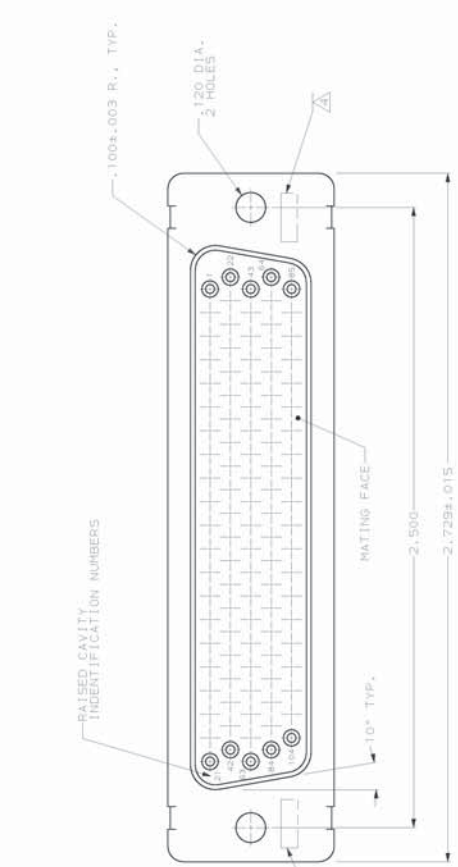
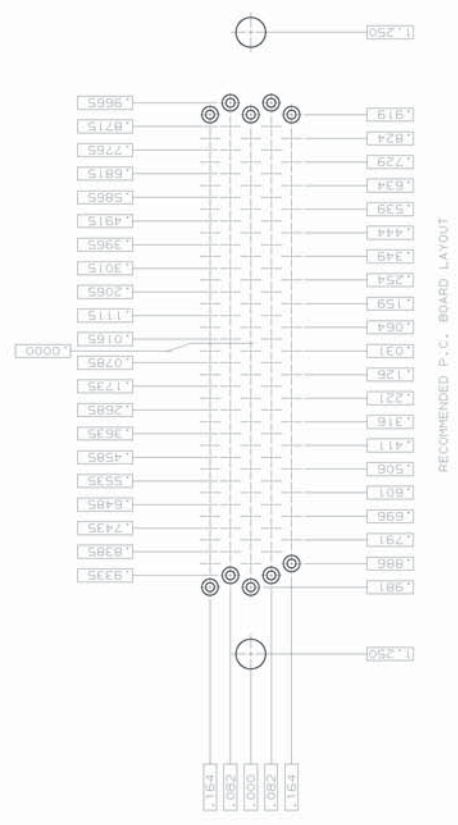


REV	DATE	BY	APP	DESCRIPTION
DF	01	LFV	MP	REV PER 003C-0648-00 CT
01	01	LFV	MP	REV PER 003C-0648-00 CT



CONTRACT NUMBER	208877-1
PART NO.	208877-1
AMP INCORPORATED	AMP INCORPORATED
DATE	7-72-68
DESIGN	F.C. BULLIVANT III
APPROVED	F.C. BULLIVANT III
DATE	1-26-68
DESIGNER	...
APPROVED	...
FINISH	SEE CALLOUTS
RETURN	...

CONTRACT NUMBER	208877-1
PART NO.	208877-1
AMP INCORPORATED	AMP INCORPORATED
DATE	7-72-68
DESIGN	F.C. BULLIVANT III
APPROVED	F.C. BULLIVANT III
DATE	1-26-68
DESIGNER	...
APPROVED	...
FINISH	SEE CALLOUTS
RETURN	...

1. .040 DIA HOLE IS RECOMMENDED FOR P.C. BOARD
2. CONNECTOR MATES WITH ANY AMP 104 POSN PLUG
3. REPLACEMENT SOCKET AMP# 207684-4

UL/CSA DESIGNATION STAMPED IN THIS AREA, OPTIONAL