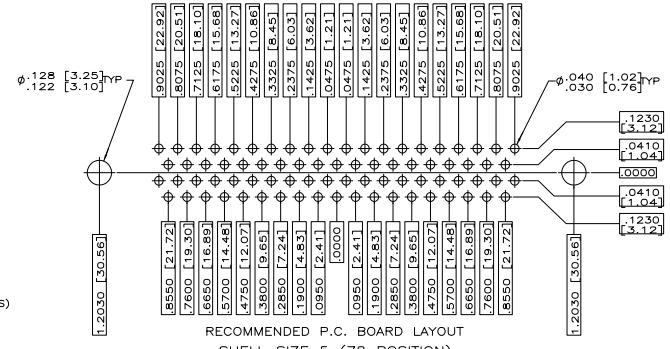
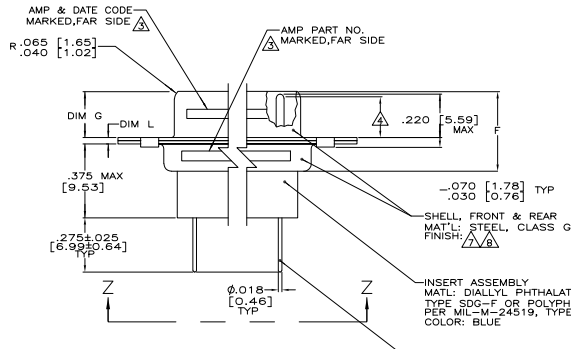
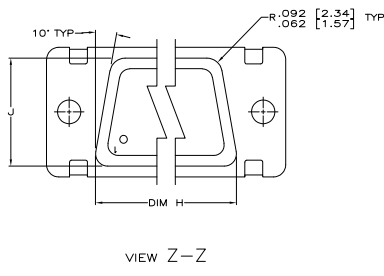
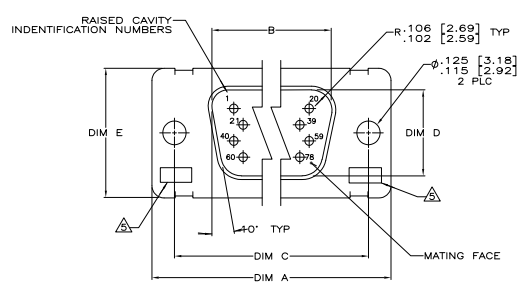


REV	DF	DO	DATE	DESCRIPTION	BY	CHK	APP
1	F			REV PER ECO 05-014801			
					03FEB06	BL	CT



- FOR RECOMMENDED P.C. BOARD LAYOUT. TRUE POSITION TOLERANCE FOR P.C. BOARD LAYOUT IS .010 [0.25] AT MAX MATERIAL CONDITION.
- THIS CONNECTOR ASSEMBLY MEETS THE REQUIREMENTS OF MIL-C-24308 AND MATES WITH ANY RECEPTACLE WITH SAME INSERT ARRANGEMENT.
- MARKED WITH .047-.062 [1.19-1.57] HIGH CHARACTERS. FAR SIDE REFERS TO THE WIDE SIDE OF THE KEYSTONE. NEAR SIDE REFERS TO THE NARROW SIDE OF THE KEYSTONE. IF THE FRONT SHELL IS TOO SMALL FOR "AMP", AMP PART NUMBER AND DATE CODE, THEN THE MARKING IS SPLIT AS FOLLOWS:
 - AMP PART NUMBER ON REAR SHELL, FAR SIDE.
 - "AMP" AND DATE CODE ON FRONT SHELL, FAR SIDE.
- REQUIREMENT FOR FULL PIN DIAMETER EXTENSION: .155 [3.94] MIN FOR SHELL SIZE 5.
- UL/CSA DESIGNATION STAMPED IN THIS AREA.
- REPLACEMENT CONTACT PART NO.: 207683-2
- FINISH: CADMIUM PER QQ-416.
- FINISH: FINISH: ZINC PLATED PER ASTM-B-633 .000200-.000400 THK WITH SUPPLEMENTARY CHROMATE (C3+).

DIM L	DIM J	DIM H	DIM G	DIM F	DIM E	DIM D	DIM C	DIM B	DIM A	NO OF POSITIONS	MARKED AMP P/N	SHELL SIZE	PART NUMBER
△ .039±0.10 [0.99±0.25]	.534±0.10 [13.56±0.25]	2.178±0.10 [55.32±0.25]	.230±0.06 [5.84±0.15]	.426±0.10 [10.82±0.25]	.605±0.15 [15.37±0.38]	.436 [11.07]	2.406 [61.11]	2.079 [52.81]	2.635±0.15 [66.93±0.38]	78	211595-1	5	5-211595-1
△ .039±0.10 [0.99±0.25]	.534±0.10 [13.56±0.25]	2.178±0.10 [55.32±0.25]	.230±0.06 [5.84±0.15]	.426±0.10 [10.82±0.25]	.605±0.15 [15.37±0.38]	.436 [11.07]	2.406 [61.11]	2.079 [52.81]	2.635±0.15 [66.93±0.38]	78	211595-1	5	211595-1

THIS DRAWING IS A CONTROLLED DOCUMENT

INSTRUMENT LABELS: DIMENSIONS, HOLES, FINISH, SEE CALLOUTS

DATE: 03-FEB-06

DESIGNED BY: [Signature]

CHECKED BY: [Signature]

APPROVED BY: [Signature]

DATE: 03-FEB-06

DESCRIPTION: H0022 POSTED PLUG ASSY SIZE 5, 78 POSN., AMPLUMITE

SIZE: 4.1

DATE: 03-FEB-06

REV: 1

BY: F