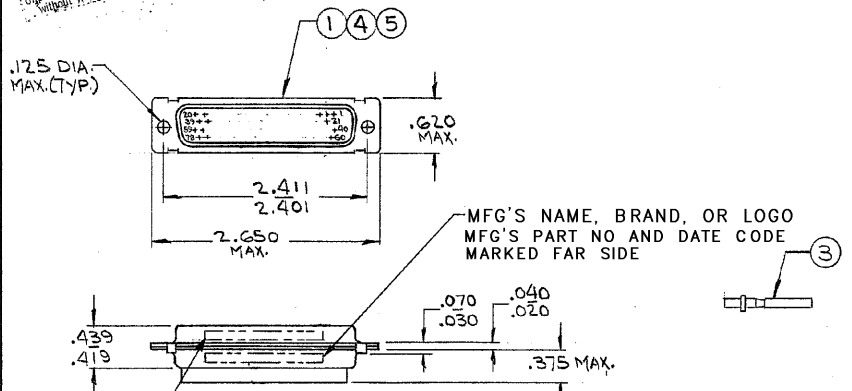


DRAWING MADE IN AMERICAN PROJECTION

© 1970 BY AMP INCORPORATED. ALL RIGHTS RESERVED. AMP PRODUCTS COVERED BY U.S. PATENTS AND/OR PATENTS PENDING.

Unpublished copy not to be distributed without written permission of AMP INCORPORATED



MARKED FAR SIDE
 M 24308/2-15F(-1, -2, -3, ... ONLY)
 M 24308/6-15F(-4, -5, -6 ONLY)
 MARKED FAR SIDE
 10D650, LITTON IND. P/N (-7 ONLY)

MFG'S NAME, BRAND, OR LOGO
 MFG'S PART NO AND DATE CODE
 MARKED FAR SIDE

| ZONE | LTR | DESCRIPTION | DATE | APPROVED |
|------|-----|----------------------------------------------------|----------|----------|
| A | | REV. PER ECN B-684 | 1/12/72 | JY |
| B | | REV. PER ECN B-948 | 5/1/73 | JY |
| C | | ITEM 2 W/HS SIDE 4-1 ECN C-678 | 9/15/74 | DEK |
| D | | REV. PER ECN J-789 | 9-8-82 | DEK |
| E | | REV. DF-0021 & DF 0160 & DF 370 & DF-3591 & R22670 | 6-2 | CT |
| F | | REV PER DF4250 | 5-91 | DEK |
| G | | REV PER 0600-6687-97 | JY 8-98 | CT |
| H | | ECO-08-023688 | PY 11-08 | BW |

| DWG NO. | REV. | DATE | DESCRIPTION | BY | CHKD. | APPD. |
|---------------|------|------|--------------------------------------------------|----|-------|-------|
| 1 | - | - | D 204508-4 RECPT ASSY, SIZE 5 (STEEL SHELL) | | | 5 |
| | X | - | LITTON IND. P/N 10D650 MARKED ON PACKAGE | | | |
| | - | X | MIL No. M24308/6-15F MARKED ON PACKAGE | | | |
| | - | - | MIL No. M24308/2-15F MARKED ON PACKAGE | | | |
| | - | X | MIL No. M24308/6-21F MARKED ON PACKAGE | | | |
| | - | - | MIL No. M24308/2-21F MARKED ON PACKAGE | | | |
| | - | 1 | C 204508-2 RECEPTACLE ASSY, SIZE 5 (BRASS SHELL) | | | 4 |
| 7878 | 78 | - | B 204351-1 CONTACT, SOCKET-SIZE 22D | | | 3 |
| | - | 1 | B 91067-1 INSERTION/EXTRACTION TOOL | | | 2 |
| 1 | - | - | C 204508-1 RECEPTACLE ASSY, SIZE 5 (STEEL SHELL) | | | 1 |
| 7-6-5-4-3-2-1 | | | DWG NO. NUMBER | | | |

2 SUPSD BY 206505-A & (78) 206071-1

UNLESS OTHERWISE SPECIFIED DIMENSIONS ARE IN INCHES
 TOLERANCES ON:
 DECIMALS ±.005
 ANGLES ±.5°
 MATERIAL

| | | | |
|--------------|-------|----------------------------------------------------|--------------|
| CONTRACT NO. | | AMP INCORPORATED HARRISBURG, PENNSYLVANIA | |
| DR. 12/1/73 | NAME | AMP | |
| REL. 12-8-70 | NAME | KIT, "HDD" SERIES, RECEPTACLE, SIZE 5 (78 POS.) | |
| REL. 12-9-70 | SIZE | CODE IDENT NO. | NUMBER |
| DSGN APPD | B | 00779 | 204520 |
| OTHER APPD | SCALE | | REV H |
| | | | SHEET 1 OF 1 |