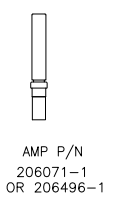
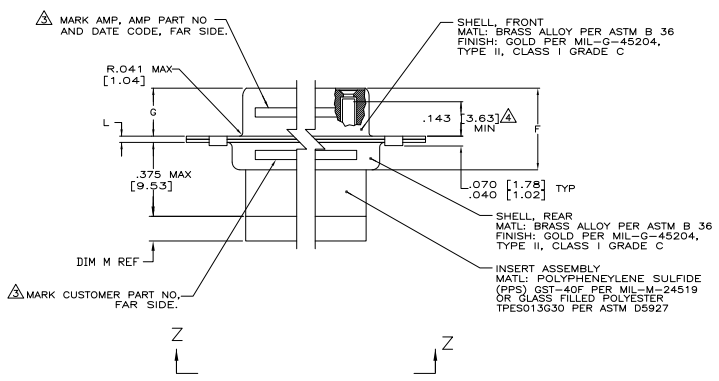
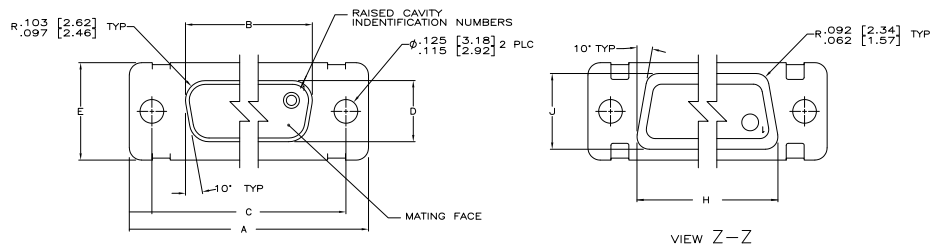


REV. NO.		DATE	DESCRIPTION	BY	CHK	APP
1						
2						
3						
4						
5						
6						
7						
8						



1. THIS CONNECTOR ASSEMBLY IS SUPPLIED WITH METAL CONTACT RETENTION CLIPS INSTALLED IN THE INSERT ASSEMBLY.
2. THIS CONNECTOR ASSEMBLY MEETS THE REQUIREMENTS OF MIL-C-24308 AND MATES WITH ANY PLUG CONNECTOR WITH SAME INSERT ARRANGEMENT.
3. MARK WITH .047 [1.19]-.062 [1.57] HIGH CHARACTERS. FAR SIDE REFERS TO THE WIDE SIDE OF THE KEYSTONE. IF THE REAR SHELL IS TOO SMALL FOR THE ENTIRE CUSTOMER PART NUMBER, MARKING MAY BE LOCATED AS FOLLOWS:
 - A. CUSTOMER BASE NUMBER, FRONT SHELL, FAR SIDE.
 - B. CUSTOMER DASH NUMBER, REAR SHELL, FAR SIDE.
 - C. AMP PART NUMBER, REAR SHELL, NEAR SIDE.
 - D. "AMP" AND DATE CODE, FRONT SHELL, NEAR SIDE.
4. POINT OF ELECTRICAL ENGAGEMENT - AS MEASURED WITH A .0295 [0.75] - .0305 [1.77] DIAMETER SQUARE ENDED TEST PIN. CONTACT SHOWN INSTALLED FOR DIMENSIONAL REFERENCE ONLY.
5. MAXIMUM WIRE INSULATION TO BE USED WITH THIS CONNECTOR ASSEMBLY IS .072 [1.83] DIAMETER.
6. FOR CONTACT CRIMPING INSTRUCTION SHEET REFER TO AMP IS 7516. FOR CONTACT INSTALLATION AND REMOVAL INSTRUCTION SHEET REFER TO AMP IS 7508.
7. DIMENSIONS AND TOLERANCES PER ANSI Y14.5M-1982.
8. THIS DRAWING SHALL BE INTERPRETED IN ACCORDANCE WITH APPLICABLE STANDARDS LISTED IN MIL-STD-100.

THIS DRAWING IS A CONTROLLED DOCUMENT.		DATE: 06-18-11	REV: 06-23-11	Tyco Electronics Corporation Harrisburg, PA 17105-3608	
DESIGNER: [initials]	ENGINEER: [initials]	PROJECT: MIL-C-24308	REV: 1	AMPLIMITE NONMAGNETIC RECEPTACLE ASSY WITH SIZE 22 GROUP TYPE SOCKET CONTACTS SERIES 90, W/PINAR ORIENTATION.	
DATE: [initials]	DATE: [initials]	DATE: [initials]	DATE: [initials]	DATE: [initials]	DATE: [initials]
SEE CALLOUTS	SEE CALLOUTS	CUSTOMER DRAWING	A1	00779	449862
			SIZE: 4.1	SHEET: 1	TOTAL: 2

REV.	DATE	BY	APPR.	DESCRIPTION	DATE	BY	APPR.
1	02/11/11	MS	MS	MS14004-1	104	6	B010772-0053
2	02/11/11	MS	MS	MS18277-1	78	5	B010772-0051
3	02/11/11	MS	MS	MS18276-1	62	4	B010772-0049
4	02/11/11	MS	MS	MS18275-1	44	3	B010772-0047
5	02/11/11	MS	MS	MS18274-1	26	2	B010772-0045
6	02/11/11	MS	MS	MS18273-1	15	1	B010772-0055
7	02/11/11	MS	MS	MS14004-1	104	6	B010772-0041
8	02/11/11	MS	MS	MS18277-1	78	5	B010772-0039
9	02/11/11	MS	MS	MS18276-1	62	4	B010772-0037
10	02/11/11	MS	MS	MS18275-1	44	3	B010772-0035
11	02/11/11	MS	MS	MS18274-1	26	2	B010772-0034
12	02/11/11	MS	MS	MS18273-1	15	1	TBD
13	02/11/11	MS	MS	MS14004-1	104	6	AD10772-0021
14	02/11/11	MS	MS	MS18277-1	78	5	AD10772-0019
15	02/11/11	MS	MS	MS18276-1	62	4	AD10772-0017
16	02/11/11	MS	MS	MS18275-1	44	3	AD10772-0015
17	02/11/11	MS	MS	MS18274-1	26	2	AD10772-0013
18	02/11/11	MS	MS	MS18273-1	15	1	AD10772-0011
19	02/11/11	MS	MS	MS14004-1	104	6	B010772-0021
20	02/11/11	MS	MS	MS18277-1	78	5	B010772-0019
21	02/11/11	MS	MS	MS18276-1	62	4	B010772-0017
22	02/11/11	MS	MS	MS18275-1	44	3	B010772-0015
23	02/11/11	MS	MS	MS18274-1	26	2	B010772-0013
24	02/11/11	MS	MS	MS18273-1	15	1	B010772-0011

M REF	L	J	H	G	F	E	D	C	B	A	INSERT ARRANGEMENT	NO. OF POS.	SHELL SIZE	INK STAMP	CUSTOMER P/N	AMP P/N ON CONNECTOR	PART NUMBER
PRELIMINARY-NOT RELEASED FOR PRODUCTION	125	049 [1.24 544 [13.82 596 [14.88 606 [15.39 612 [15.46 618 [15.53 624 [15.60 630 [15.67 636 [15.74 642 [15.81 648 [15.88 654 [15.95 660 [16.02 666 [16.09 672 [16.16 678 [16.23 684 [16.30 690 [16.37 696 [16.44 702 [16.51 708 [16.58 714 [16.65 720 [16.72 726 [16.79 732 [16.86 738 [16.93 744 [17.00 750 [17.07 756 [17.14 762 [17.21 768 [17.28 774 [17.35 780 [17.42 786 [17.49 792 [17.56 798 [17.63 804 [17.70 810 [17.77 816 [17.84 822 [17.91 828 [17.98 834 [18.05 840 [18.12 846 [18.19 852 [18.26 858 [18.33 864 [18.40 870 [18.47 876 [18.54 882 [18.61 888 [18.68 894 [18.75 900 [18.82 906 [18.89 912 [18.96 918 [19.03 924 [19.10 930 [19.17 936 [19.24 942 [19.31 948 [19.38 954 [19.45 960 [19.52 966 [19.59 972 [19.66 978 [19.73 984 [19.80 990 [19.87 996 [20.00 1000 [20.13 1010 [20.26 1020 [20.39 1030 [20.52 1040 [20.65 1050 [20.78 1060 [20.91 1070 [21.04 1080 [21.17 1090 [21.30 1100 [21.43 1110 [21.56 1120 [21.69 1130 [21.82 1140 [21.95 1150 [22.08 1160 [22.21 1170 [22.34 1180 [22.47 1190 [22.60 1200 [22.73 1210 [22.86 1220 [22.99 1230 [23.12 1240 [23.25 1250 [23.38 1260 [23.51 1270 [23.64 1280 [23.77 1290 [23.90 1300 [24.03 1310 [24.16 1320 [24.29 1330 [24.42 1340 [24.55 1350 [24.68 1360 [24.81 1370 [24.94 1380 [25.07 1390 [25.20 1400 [25.33 1410 [25.46 1420 [25.59 1430 [25.72 1440 [25.85 1450 [25.98 1460 [26.11 1470 [26.24 1480 [26.37 1490 [26.50 1500 [26.63 1510 [26.76 1520 [26.89 1530 [27.02 1540 [27.15 1550 [27.28 1560 [27.41 1570 [27.54 1580 [27.67 1590 [27.80 1600 [27.93 1610 [28.06 1620 [28.19 1630 [28.32 1640 [28.45 1650 [28.58 1660 [28.71 1670 [28.84 1680 [28.97 1690 [29.10 1700 [29.23 1710 [29.36 1720 [29.49 1730 [29.62 1740 [29.75 1750 [29.88 1760 [30.01 1770 [30.14 1780 [30.27 1790 [30.40 1800 [30.53 1810 [30.66 1820 [30.79 1830 [30.92 1840 [31.05 1850 [31.18 1860 [31.31 1870 [31.44 1880 [31.57 1890 [31.70 1900 [31.83 1910 [31.96 1920 [32.09 1930 [32.22 1940 [32.35 1950 [32.48 1960 [32.61 1970 [32.74 1980 [32.87 1990 [33.00 2000 [33.13 2010 [33.26 2020 [33.39 2030 [33.52 2040 [33.65 2050 [33.78 2060 [33.91 2070 [34.04 2080 [34.17 2090 [34.30 2100 [34.43 2110 [34.56 2120 [34.69 2130 [34.82 2140 [34.95 2150 [35.08 2160 [35.21 2170 [35.34 2180 [35.47 2190 [35.60 2200 [35.73 2210 [35.86 2220 [35.99 2230 [36.12 2240 [36.25 2250 [36.38 2260 [36.51 2270 [36.64 2280 [36.77 2290 [36.90 2300 [37.03 2310 [37.16 2320 [37.29 2330 [37.42 2340 [37.55 2350 [37.68 2360 [37.81 2370 [37.94 2380 [38.07 2390 [38.20 2400 [38.33 2410 [38.46 2420 [38.59 2430 [38.72 2440 [38.85 2450 [38.98 2460 [39.11 2470 [39.24 2480 [39.37 2490 [39.50 2500 [39.63 2510 [39.76 2520 [39.89 2530 [40.02 2540 [40.15 2550 [40.28 2560 [40.41 2570 [40.54 2580 [40.67 2590 [40.80 2600 [40.93 2610 [41.06 2620 [41.19 2630 [41.32 2640 [41.45 2650 [41.58 2660 [41.71 2670 [41.84 2680 [41.97 2690 [42.10 2700 [42.23 2710 [42.36 2720 [42.49 2730 [42.62 2740 [42.75 2750 [42.88 2760 [43.01 2770 [43.14 2780 [43.27 2790 [43.40 2800 [43.53 2810 [43.66 2820 [43.79 2830 [43.92 2840 [44.05 2850 [44.18 2860 [44.31 2870 [44.44 2880 [44.57 2890 [44.70 2900 [44.83 2910 [44.96 2920 [45.09 2930 [45.22 2940 [45.35 2950 [45.48 2960 [45.61 2970 [45.74 2980 [45.87 2990 [46.00 3000 [46.13 3010 [46.26 3020 [46.39 3030 [46.52 3040 [46.65 3050 [46.78 3060 [46.91 3070 [47.04 3080 [47.17 3090 [47.30 3100 [47.43 3110 [47.56 3120 [47.69 3130 [47.82 3140 [47.95 3150 [48.08 3160 [48.21 3170 [48.34 3180 [48.47 3190 [48.60 3200 [48.73 3210 [48.86 3220 [48.99 3230 [49.12 3240 [49.25 3250 [49.38 3260 [49.51 3270 [49.64 3280 [49.77 3290 [49.90 3300 [50.03 3310 [50.16 3320 [50.29 3330 [50.42 3340 [50.55 3350 [50.68 3360 [50.81 3370 [50.94 3380 [51.07 3390 [51.20 3400 [51.33 3410 [51.46 3420 [51.59 3430 [51.72 3440 [51.85 3450 [51.98 3460 [52.11 3470 [52.24 3480 [52.37 3490 [52.50 3500 [52.63 3510 [52.76 3520 [52.89 3530 [53.02 3540 [53.15 3550 [53.28 3560 [53.41 3570 [53.54 3580 [53.67 3590 [53.80 3600 [53.93 3610 [54.06 3620 [54.19 3630 [54.32 3640 [54.45 3650 [54.58 3660 [54.71 3670 [54.84 3680 [54.97 3690 [55.10 3700 [55.23 3710 [55.36 3720 [55.49 3730 [55.62 3740 [55.75 3750 [55.88 3760 [56.01 3770 [56.14 3780 [56.27 3790 [56.40 3800 [56.53 3810 [56.66 3820 [56.79 3830 [56.92 3840 [57.05 3850 [57.18 3860 [57.31 3870 [57.44 3880 [57.57 3890 [57.70 3900 [57.83 3910 [57.96 3920 [58.09 3930 [58.22 3940 [58.35 3950 [58.48 3960 [58.61 3970 [58.74 3980 [58.87 3990 [59.00 4000 [59.13 4010 [59.26 4020 [59.39 4030 [59.52 4040 [59.65 4050 [59.78 4060 [59.91 4070 [60.04 4080 [60.17 4090 [60.30 4100 [60.43 4110 [60.56 4120 [60.69 4130 [60.82 4140 [60.95 4150 [61.08 4160 [61.21 4170 [61.34 4180 [61.47 4190 [61.60 4200 [61.73 4210 [61.86 4220 [61.99 4230 [62.12 4240 [62.25 4250 [62.38 4260 [62.51 4270 [62.64 4280 [62.77 4290 [62.90 4300 [63.03 4310 [63.16 4320 [63.29 4330 [63.42 4340 [63.55 4350 [63.68 4360 [63.81 4370 [63.94 4380 [64.07 4390 [64.20 4400 [64.33 4410 [64.46 4420 [64.59 4430 [64.72 4440 [64.85 4450 [64.98 4460 [65.11 4470 [65.24 4480 [65.37 4490 [65.50 4500 [65.63 4510 [65.76 4520 [65.89 4530 [66.02 4540 [66.15 4550 [66.28 4560 [66.41 4570 [66.54 4580 [66.67 4590 [66.80 4600 [66.93 4610 [67.06 4620 [67.19 4630 [67.32 4640 [67.45 4650 [67.58 4660 [67.71 4670 [67.84 4680 [67.97 4690 [68.10 4700 [68.23 4710 [68.36 4720 [68.49 4730 [68.62 4740 [68.75 4750 [68.88 4760 [69.01 4770 [69.14 4780 [69.27 4790 [69.40 4800 [69.53 4810 [69.66 4820 [69.79 4830 [69.92 4840 [70.05 4850 [70.18 4860 [70.31 4870 [70.44 4880 [70.57 4890 [70.70 4900 [70.83 4910 [70.96 4920 [71.09 4930 [71.22 4940 [71.35 4950 [71.48 4960 [71.61 4970 [71.74 4980 [71.87 4990 [72.00 5000 [72.13 5010 [72.26 5020 [72.39 5030 [72.52 5040 [72.65 5050 [72.78 5060 [72.91 5070 [73.04 5080 [73.17 5090 [73.30 5100 [73.43 5110 [73.56 5120 [73.69 5130 [73.82 5140 [73.95 5150 [74.08 5160 [74.21 5170 [74.34 5180 [74.47 5190 [74.60 5200 [74.73 5210 [74.86 5220 [74.99 5230 [75.12 5240 [75.25 5250 [75.38 5260 [75.51 5270 [75.64 5280 [75.77 5290 [75.90 5300 [76.03 5310 [76.16 5320 [76.29 5330 [76.42 5340 [76.55 5350 [76.68 5360 [76.81 5370 [76.94 5380 [77.07 5390 [77.20 5400 [77.33 5410 [77.46 5420 [77.59 5430 [77.72 5440 [77.85 5450 [77.98 5460 [78.11 5470 [78.24 5480 [78.37 5490 [78.50 5500 [78.63 5510 [78.76 5520 [78.89 5530 [79.02 5540 [79.15 5550 [79.28 5560 [79.41 5570 [79.54 5580 [79.67 5590 [79.80 5600 [79.93 5610 [80.06 5620 [80.19 5630 [80.32 5640 [80.45 5650 [80.58 5660 [80.71 5670 [80.84 5680 [80.97 5690 [81.10 5700 [81.23 5710 [81.36 5720 [81.49 5730 [81.62 5740 [81.75 5750 [81.88 5760 [82.01 5770 [82.14 5780 [82.27 5790 [82.40 5800 [82.53 5810 [82.66 5820 [82.79 5830 [82.92 5840 [83.05 5850 [83.18 5860 [83.31 5870 [83.44 5880 [83.57 5890 [83.70 5900 [83.83 5910 [83.96 5920 [84.09 5930 [84.22 5940 [84.35 5950 [84.48 5960 [84.61 5970 [84.74 5980 [84.87 5990 [85.00 6000 [85.13 6010 [85.26 6020 [85.39 6030 [85.52 6040 [85.65 6050 [85.78 6060 [85.91 6070 [86.04 6080 [86.17 6090 [86.30 6100 [86.43 6110 [86.56 6120 [86.69 6130 [86.82 6140 [86.95 6150 [87.08 6160 [87.21 6170 [87.34 6180 [87.47 6190 [87.60 6200 [87.73 6210 [87.86 6220 [87.99 6230 [88.12 6240 [88.25 6250 [88.38 6260 [88.51 6270 [88.64 6280 [88.77 6290 [88.90 6300 [89.03 6310 [89.16 6320 [89.29 6330 [89.42 6340 [89.55 6350 [89.68 6360 [89.81 6370 [89.94 6380 [90.07 6390 [90.20 6400 [90.33 6410 [90.46 6420 [90.59 6430 [90.72 6440 [90.85 6450 [90.98 6460 [91.11 6470 [91.24 6480 [91.37 6490 [91.50 6500 [91.63 6510 [91.76 6520 [91.89 6530 [92.02 6540 [92.15 6550 [92.28 6560 [92.41 6570 [92.54 6580 [92.67 6590 [92.80 6600 [92.93 6610 [93.06 6620 [93.19 6630 [93.32 6640 [93.45 6650 [93.58 6660 [93.71 6670 [93.84 6680 [93.97 6690 [94.10 6700 [94.23 6710 [94.36 6720 [94.49 6730 [94.62 6740 [94.75 6750 [94.88 6760 [95.01 6770 [95.14 6780 [95.27 6790 [95.40 6800 [95.53 6810 [95.66 6820 [95.79 6830 [95.92 6840 [96.05 6850 [96.18 6860 [96.31 6870 [96.44 6880 [96.57 6890 [96.70 6900 [96.83 6910 [96.96 6920 [97.09 6930 [97.22 6940 [97.35 6950 [97.48 6960 [97.61 6970 [97.74 6980 [97.87 6990 [98.00 7000 [98.13 7010 [98.26 7020 [98.39 7030 [98.52 7040 [98.65 7050 [98.78 7060 [98.91 7070 [99.04 7080 [99.17 7090 [99.30 7100 [99.43 7110 [99.56 7120 [99.69 7130 [100.00 7140 [100.13 7150 [100.26 7160 [100.39 7170 [100.52 7180 [100.65 7190 [100.78 7200 [100.91 7210 [101.04 7220 [101.17 7230 [101.30 7240 [101.43 7250 [101.56 7260 [101.69 7270 [101.82 7280 [101.95 7290 [102.08 7300 [102.21 7310 [102.34 7320 [102.47 7330 [102.60 7340 [102.73 7350 [102.86 7360 [102.99 7370 [103.12 7380 [103.25 7390 [103.38 7400 [103.51 7410 [103.64 7420 [103.77 7430 [103.90 7440 [104.03 7450 [104.16 7460 [104.29 7470 [104.42 7480 [104.55 7490 [104.68 7500 [104.81 7510 [104.94 7520 [105.07 7530 [105.20 7540 [105.33 7550 [105.46 7560 [105.59 7570 [105.72 7580 [105.85 7590 [105.98 7600 [106.11 7610 [106.24 7620 [106.37 7630 [106.50 7640 [106.63 7650 [106.76 7660 [106.89 7670 [107.02 7680 [107.15 7690 [107.28 7700 [107.41 7710 [107.54 7720 [107.67 7730 [107.80 7740 [107.93 7750 [108.06 7760 [108.19 7770 [108.32 7780 [108.45 7790 [108.58 7800 [108.71 7810 [108.84 7820 [108.97 7830 [109.10 7840 [109.23 7850 [109.36 7860 [109.49 7870 [109.62 7880 [109.75 7890 [109.88 7900 [110.01 7910 [110.14 7920 [110.27 7930 [110.40 7940 [110.53 7950 [110.66 7960 [110.79 7970 [110.92 7980 [111.05 7990 [111.18 8000 [111.31 8010 [111.44 8020 [111.57 8030 [111.70 8040 [111.83 8050 [111.96 8060 [112.09 8070 [112.22 8080 [112.35 8090 [112.48 8100 [112.61 8110 [112.74 8120 [112.87 8130 [113.00 8140 [113.13 8150 [113.26 8160 [113.39 8170 [113.52 8180 [113.65 8190 [113.78 8200 [113.91 8210 [114.04 8220 [114.17 8230 [114.30 8240 [114.43 8250 [114.56 8260 [114.69 8270 [114.82 8280 [114.95 8290 [115.08 8300 [115.21 8310 [115.34 8320 [115.47 8330 [115.60 8340 [115.73 8350 [115.86 8360 [115.99 8370 [116.12 8380 [116.25 8390 [116.38 8400 [116.51 8410 [116.64 8420 [116.77 8430 [116.90 8440 [11															