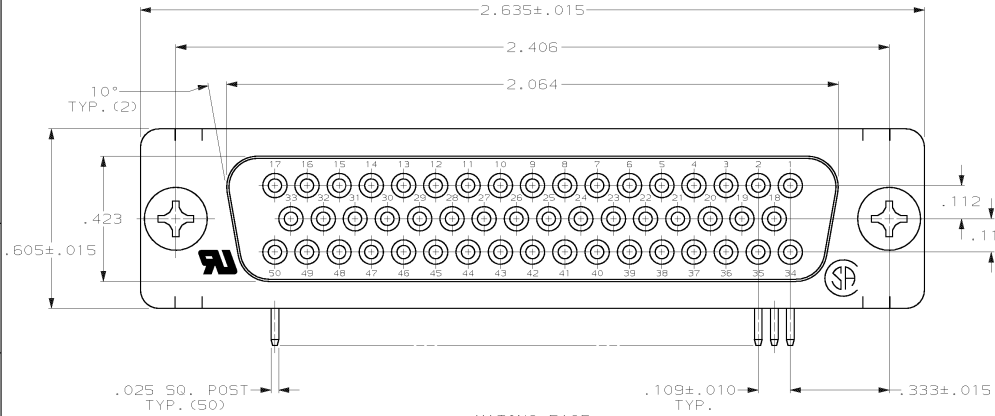


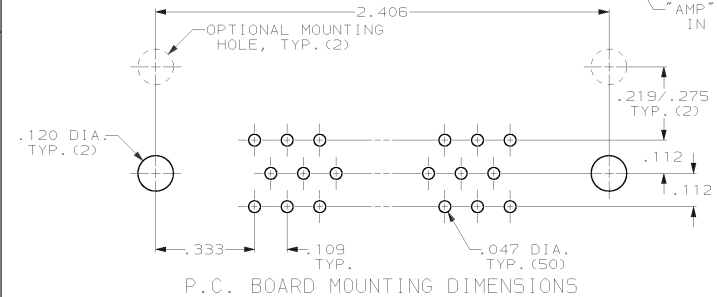
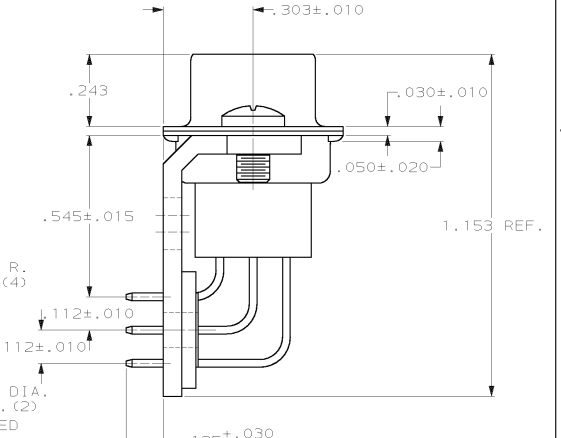
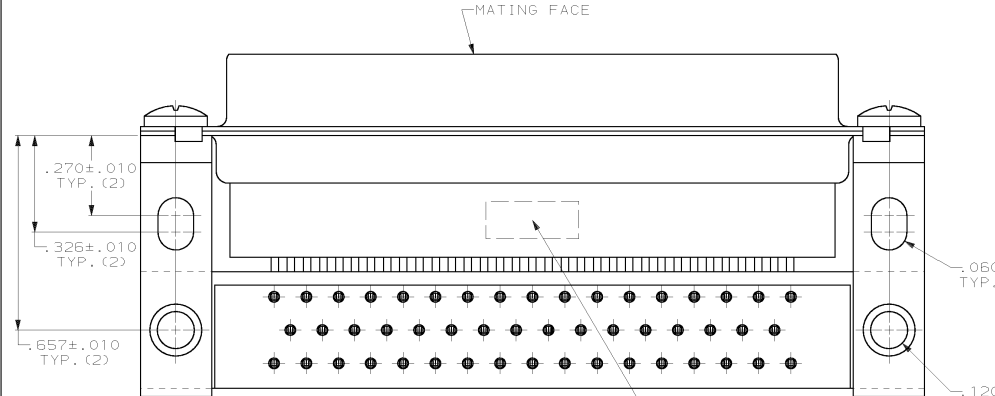
DRAWING MADE IN THIRD ANGLE PROJECTION

THIS DRAWING IS UNPUBLISHED. RELEASED FOR PUBLICATION  
 © COPYRIGHT 19 BY AMP INCORPORATED, HARRISBURG, PA. ALL INTERNATIONAL RIGHTS RESERVED. AMP PRODUCTS MAY BE COVERED BY U.S. AND FOREIGN PATENTS AND/OR PATENTS PENDING.

REVISIONS						
P	F	ZONE	LTR	DESCRIPTION	DATE	APPROVED
			P	REVISED PER EC 0513-0012-03	08/14/03	JG



- CONNECTOR MATES WITH ANY 50 POS. PLUG IN AMPLIMITE SERIES & COMPLIES WITH AMP SPEC. 108-40,005 WHERE APPLICABLE.
- FLAME RETARDANT 94V-0 RATED THERMOPLASTIC; COLOR: BLACK.
- STEEL PER ASTM A109.
- PHOS. BRONZE PER QQ-B-750.
- ZINC PLATING PER ASTM B633; TYPE II; CLASS SC1; YELLOW CHROMATE, GOLD PLATING PER MIL-G-45204, NICKEL PLATING PER QQ-N-290.
- ZINC PLATED.
- GOLD FLASH FOR A LENGTH OF .100 MINIMUM FROM MATING END, .000100 MINIMUM TIN-LEAD ON OPPOSITE END, BOTH OVER .000050 MINIMUM NICKEL.
- .000030 MINIMUM GOLD FOR A LENGTH OF .100 MINIMUM FROM MATING END, .000100 MINIMUM TIN-LEAD ON OPPOSITE END, BOTH OVER .000050 MINIMUM NICKEL.



UNLESS OTHERWISE SPECIFIED DIMENSIONS ARE IN INCHES. TOLERANCES ON: DECIMALS ±.005 ANGLES ± 2°	CONTRACT NO	
	DR	J. GERACE 12-19-83
	CHK	J. GERACE 12-19-83
	APPD	P. SWEIGARD 3-15-84
MATERIAL MOULDED PARTS: △ SHELLS & BRACKETS: △ CONTACTS: △	APPD	J. ASSINI 3-15-84
	DSGN APPD	
FINISH △ SHELLS & BRACKETS: △ CONTACTS: SEE TABLE	OTHER APPD	

OBSOLETE	△	205870-2
	△	205870-1
CONTACT FINISH		PART NUMBER
<b>AMP</b> AMP INCORPORATED Harrisburg, Pa.		
NAME RECEPTACLE ASSEMBLY, SIZE 5, 50 POS., RIGHT ANGLE, .545 SERIES, .025 SQ. POSTS, AMPLIMITE HDP		
SIZE	FSCM NO	DRAWING NO
C	00779	205870
SCALE		SHEET 1 of 1

AMP 1471-6 REV 2-81

205870

CUSTOMER DRAWING