

4

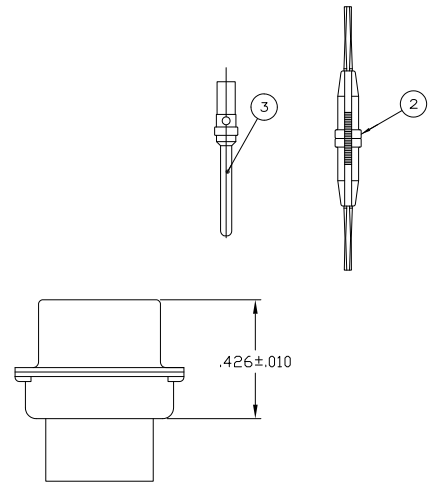
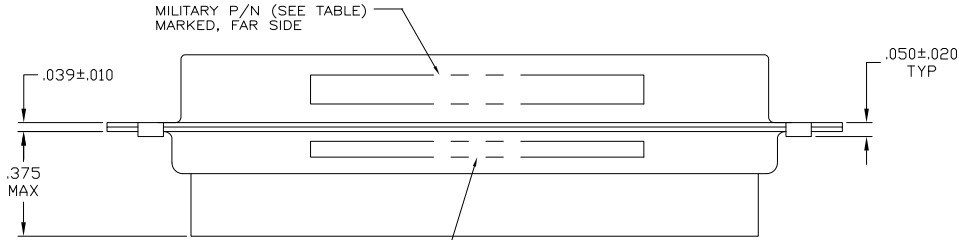
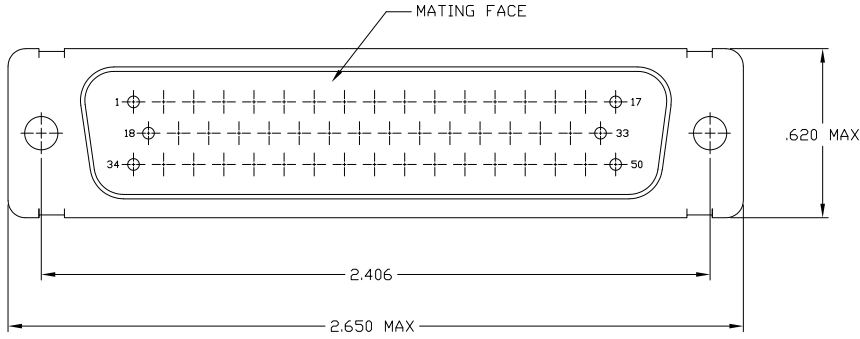
3

2

1

THIS DRAWING IS UNPUBLISHED. RELEASED FOR PUBLICATION. ALL RIGHTS RESERVED.

LOC	DIST	REVISIONS		
P	LR	DESCRIPTION	DATE	BY
H1		REVISED PER ECO-11-005030	11MAR11	RK HMR



MFG'S NAME, BRAND OR LOGO AND DATE CODE MARKED, FAR SIDE

OBSELETE	205564-3	M24308/8-10F	205089-1	91067-2	205170-2	205564-5
SUPERSEDED BY 206804-2 AND 205089-1	205564-3	M24308/8-5F	205089-1	-	205170-2	205564-4
	205564-3	M24308/4-10F	205089-1	91067-2	205170-1	205564-3
SUPERSEDED BY 205170-2 AND 91067-2	205564-2	M24308/4-5F	205089-1	-	205170-1	205564-2
	205564-1	-	-	91067-2	205170-1	205564-1
	P/N MARKED ON PACKAGE	MILITARY P/N MARKED ON PACKAGE	③ PIN CONTACT QTY. = 50	② INSERTION/EXTRACTION TOOL QTY. = 1	① PLUG ASSY QTY. = 1	PART NUMBER

FOR CONNECTOR ASSEMBLIES WITHOUT CONTACTS, TE CONNECTIVITY CONTACT PART NOS. 205089-1 MUST BE ORDERED SEPARATELY. CONNECTORS WITH CONTACTS ARE SUPPLIED WITH CONTACT 205089-1.

THIS DRAWING IS A CONTROLLED DOCUMENT.

DESIGNED BY: P. YEAGER	DATE: 11MAR09
CHECKED BY: R. LEASE	DATE: 12MAR09
APPROVED BY: R. LEASE	DATE: 12MAR09
NAME: AMPLITE, KIT,HDM-20, SERIES, PLUG, SIZE 5, 50 POSITION	
APPLICATION SPEC: -	SIZE: A2
WEIGHT: -	CAGE CODE: 00779
MATERIAL: -	FINISH: -
CUSTOMER DRAWING	

TE Connectivity

SCALE: 4:1 SHEET: 1 of 1 REV: H1