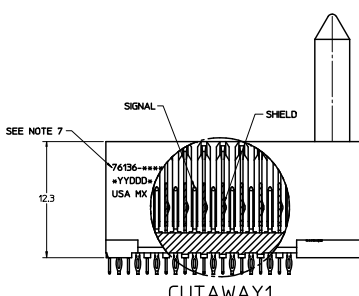
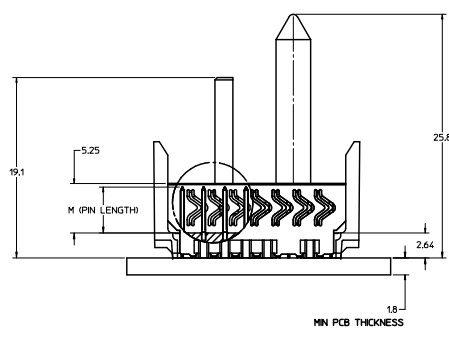
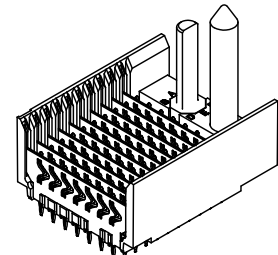
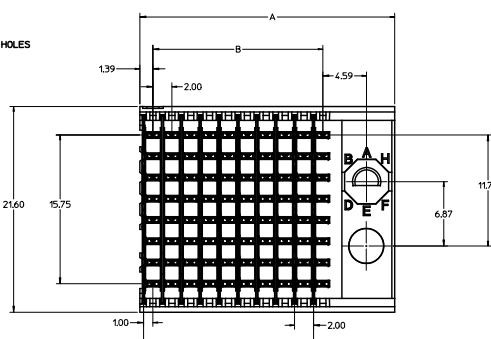
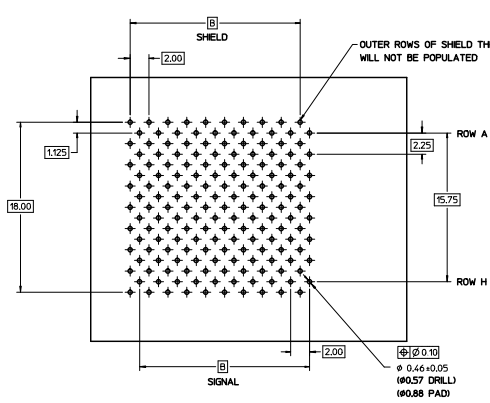


20 19 18 17 16 15 14 13 12 11 10 9 8 7 6 5 4 3 2 1



- NOTES:
1. MATERIALS:  
HOUSING - LIQUID CRYSTAL POLYMER (LCP)  
GLASS FILLED, UL94V-0, BLACK  
SIGNAL PIN AND SHIELD - COPPER ALLOY
  2. FINISHES:  
CONTACT AREA - SELECTIVE GOLD (Au)  
PCB TAILS - SELECTIVE TIN/LEAD (Sn/Pb) OR MATTE TIN (Sn)
  3. THIS PART CONFORMS TO MOLEX PRODUCT SPECIFICATION PS-74031-999.
  4. FOR MIXED CONTACT LENGTH CONTACT MOLEX FOR AVAILABILITY.
  5. FOR SPECIFIC MATERIAL NUMBERS AND MATING INFORMATION REFER TO SHEET 2.
  6. PACKAGE PER PK-74061-003.
  7. ASSEMBLY WILL BE MARKED WITH P/N AND DATE CODE WITH LASER MARK ON SIDE OF HOUSING

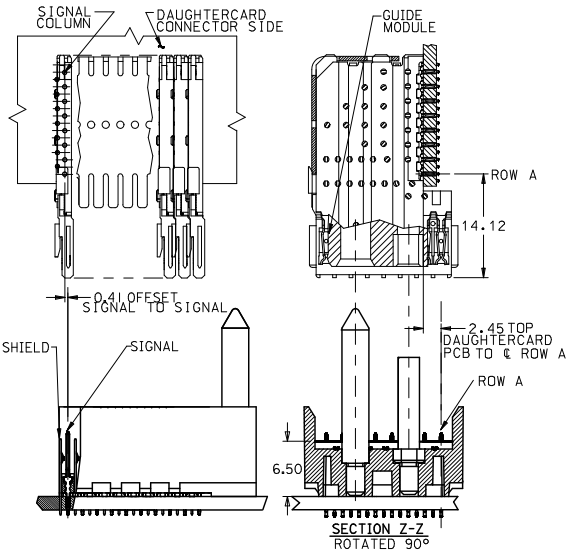
MOLEX 76136-001-001 CHICKS BINGHAM APPROX. MILLER 2010/07/14	QUALITY SYMBOLS	GENERAL TOLERANCES (UNLESS SPECIFIED)	DIMENSION STYLE	SCALE	DESIGN UNITS	THIRD ANGLE PROJECTION
	$\nabla=0$ $\nabla=0$ $\nabla=0$	4 PLACES ± 0.15 3 PLACES ± 0.25 2 PLACES ± 0.50 1 PLACE ± 1.25 ANGULAR ± 1/2°	MM ONLY 5:1 METRIC	DRAWN BY: JJONIAK CHECKED BY: BINGHAM APPROVED BY: BINGHAM DATE: 2008/04/11	TITLE: VHDM H-SERIES 8 ROW SHIELD END BACKPLANE SALES DRAWING MOLEX INCORPORATED	SHEET NO. 1 OF 2
	DRAFT WHERE APPLICABLE MUST REMAIN WITHIN DIMENSIONS	MATERIAL NO. SEE SHEET 2 DOCUMENT NO. SD-76136-001	THIS DRAWING CONTAINS INFORMATION THAT IS PROPRIETARY TO MOLEX INCORPORATED AND SHOULD NOT BE USED WITHOUT WRITTEN PERMISSION			

19 18 17 16 15 14 13 12 11 10 9 8 7 6 5 4 3 2 1

13 12 11 10 9 8 7 6 5 4 3 2 1

M/N 76136-( )	-**0*	-**1*	-**2*	-**3*	-**4*	-**5*	-**6*	-**7*	-**8*
KEYING PIN ORIENTATION									

76136 - \* \* \* \*  
 NUMBER OF COLUMNS/PLATING  
 10 = 10 COLUMN TIN/LEAD  
 25 = 25 COLUMN TIN/LEAD  
 90 = 10 COLUMN MATTE TIN  
 85 = 25 COLUMN MATTE TIN  
 CONTACT LOAD (PIN LENGTH)  
 1 & 6 = 4.75  
 2 & 7 = 6.25  
 3 & 8 = 6.25  
 4 & 9 = 5.15



PART NUMBER	COLUMN	NUMBER OF SIGNAL	NUMBER OF SHIELD	A	B	M	Au (um) THICKNESS	Sn (um) THICKNESS
76136 - *0*1	10	80	10	27.00	18.00	4.75	0.76	0.76-1.52
76136 - *0*6							1.27	
76136 - *5*1	25	200	25	57.00	48.00	6.25	0.76	
76136 - *5*6							1.27	
76136 - *0*2	10	80	10	27.00	18.00	6.25	0.76	
76136 - *0*7							1.27	
76136 - *5*2	25	200	25	57.00	48.00	4.25	0.76	
76136 - *5*7							1.27	
76136 - *0*3	10	80	10	27.00	18.00	4.25	0.76	
76136 - *0*8							1.27	
76136 - *5*3	25	200	25	57.00	48.00	5.15	0.76	
76136 - *5*8							1.27	
76136 - *0*4	10	80	10	27.00	18.00	5.15	0.76	
76136 - *0*9							1.27	
76136 - *5*4	25	200	25	57.00	48.00		0.76	
76136 - *5*9							1.27	

SEE SHEET 1 EC NO. UEP2010-1574 DRAWN BY JONIAK 2008/04/11 CHECKED BY BINGHAM 2008/04/11 APPR. BY MILLER 2010/07/14	QUALITY SYMBOLS	GENERAL TOLERANCES (UNLESS SPECIFIED)	DIMENSION STYLE	SCALE	DESIGN UNITS	THIRD ANGLE PROJECTION
	$\nabla = 0$ $\nabla = 0$ $\nabla = 0$	4 PLACES ± mm ± INCH 3 PLACES ± --- ± --- 2 PLACES ± 0.15 ± --- 1 PLACE ± 0.25 ± --- ANGULAR ± 1/2°	MM ONLY	1:1	METRIC	
	DRAFT WHERE APPLICABLE MUST REMAIN WITHIN DIMENSIONS	DRAWN BY JONIAK DATE 2008/04/11 CHECKED BY BINGHAM DATE 2008/04/11 APPROVED BY BINGHAM DATE 2008/04/11	MATERIAL NO. SEE TABLE SIZE C	TITLE VHDM H-SERIES 8 ROW SHIELD END BACKPLANE SALES DRAWING MOLEX INCORPORATED	DOCUMENT NO. SD-76136-001	SHEET NO. 2 OF 2
	THIS DRAWING CONTAINS INFORMATION THAT IS PROPRIETARY TO MOLEX INCORPORATED AND SHOULD NOT BE USED WITHOUT WRITTEN PERMISSION					

12 11 10 9 8 7 6 5 4 3 2 1