

NOTES:

1. MATERIALS:
HOUSING - LIQUID CRYSTAL POLYMER (LCP)
GLASS FILLED, UL94V-0, BLACK
SIGNAL PIN AND SHIELD - COPPER ALLOY
2. FINISHES:
CONTACT AREA - SELECTIVE GOLD (Au)
PCB TAILS - SELECTIVE TIN/LEAD (SnPb) OR MATTE TIN (Sn)
3. THIS PART CONFORMS TO MOLEX PRODUCT SPECIFICATION PS-74031-999.
4. FOR MIXED CONTACT LENGTH CONTACT MOLEX FOR AVAILABILITY.
5. FOR SPECIFIC MATERIAL NUMBERS AND MATING INFORMATION REFER TO SHEET 2.
6. PACKAGE PER PK-74058-003.
7. ASSEMBLY WILL BE MARKED WITH P/N AND DATE CODE WITH LASER MARK ON SIDE OF HOUSING

| | | | | | | | | | | |
|--|--------------------------------------|---------------------------------------|------------|---|------------|--|--------------|------------------------|--|--|
| ADD. TAIL LENGTH EC NO. LCP2011-282 2011/01/21 DRAWN BY JONIMOLFE 2011/01/21 CHECKED BY CHRIS DANIELLEY 2011/02/17 APPROVED BY SMILLER | QUALITY SYMBOLS ∇=0 ∇=0 ∇=0 | GENERAL TOLERANCES (UNLESS SPECIFIED) | | DIMENSION STYLE | | SCALE | DESIGN UNITS | THIRD ANGLE PROJECTION | | |
| | | mm | INCH | MM ONLY | | 3:1 | METRIC | | | |
| | | 4 PLACES ± | ± | DRAWN BY | DATE | TITLE | | | | |
| | | 3 PLACES ± | ± | JJONI AK | 2008/07/09 | VHDM H-SERIES 6 ROW BACKPLANE SHIELD END | | | | |
| 2 PLACES ± | ± | JJONI AK | 2008/07/09 | APPROVED BY | | DATE | | MATERIAL NO. | | |
| 1 PLACE ± | ± | SMILLER | 2010/03/09 | DATE | | 2010/03/09 | | DOCUMENT NO. | | |
| ANGULAR ±1/2° | | SEE TABLE | | SD-76762-001 | | SHEET NO. | | 1 OF 2 | | |
| DRAFT WHERE APPLICABLE MUST REMAIN WITHIN DIMENSIONS | | SIZE C | | THIS DRAWING CONTAINS INFORMATION THAT IS PROPRIETARY TO MOLEX INCORPORATED AND SHOULD NOT BE USED WITHOUT WRITTEN PERMISSION | | | | | | |

13 12 11 10 9 8 7 6 5 4 3 2 1

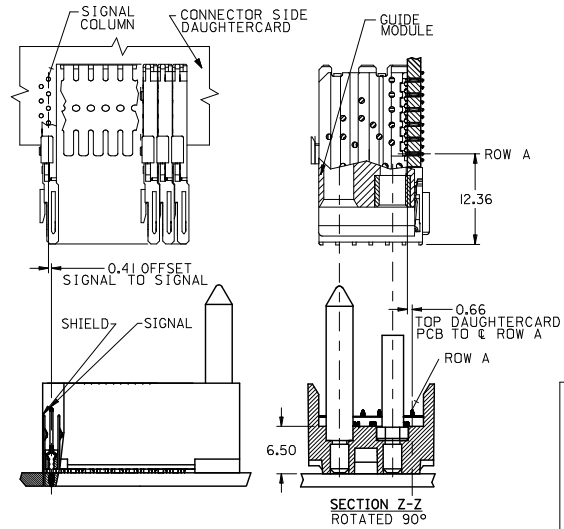
| | | | | | | | | | |
|---------------------------|-------|--------|--------|--------|--------|--------|--------|--------|--------|
| M/N 76762-() | --*0* | --**1* | --**2* | --**3* | --**4* | --**5* | --**6* | --**7* | --**8* |
| KEYING PIN ORIENTATION | | | | | | | | | |

76762 - * * * *

NUMBER OF COLUMNS/PLATING
 10 = 10 COLUMN TIN/LEAD
 25 = 25 COLUMN TIN/LEAD
 90 = 10 COLUMN MATTE TIN
 85 = 25 COLUMN MATTE TIN

CONTACT LOAD
 (PIN LENGTH)
 1 & 6 = 4.25
 2 & 7 = 6.25
 3 & 8 = 4.25
 4 & 9 = 5.15

| PART NUMBER | COLUMN | NUMBER OF SIGNAL PINS | NUMBER OF SHIELD | A | B | M | Au (um) THICKNESS | Sn (um) THICKNESS |
|--------------|--------|-----------------------|------------------|-------|-------|------|-------------------|-------------------|
| 76762 - *0*1 | 10 | 60 | 10 | 27.00 | 18.00 | 4.75 | 0.76 | 0.76-1.52 |
| 76762 - *0*6 | | | | | | | 1.27 | |
| 76762 - *5*1 | 25 | 150 | 25 | 57.00 | 48.00 | 6.25 | 0.76 | |
| 76762 - *5*6 | | | | | | | 1.27 | |
| 76762 - *0*2 | 10 | 60 | 10 | 27.00 | 18.00 | 6.25 | 1.27 | |
| 76762 - *0*7 | | | | | | | 0.76 | |
| 76762 - *5*2 | 25 | 150 | 25 | 57.00 | 48.00 | 4.25 | 1.27 | |
| 76762 - *5*7 | | | | | | | 0.76 | |
| 76762 - *0*3 | 10 | 60 | 10 | 27.00 | 18.00 | 5.15 | 1.27 | |
| 76762 - *0*8 | | | | | | | 0.76 | |
| 76762 - *5*3 | 25 | 150 | 25 | 57.00 | 48.00 | 5.15 | 1.27 | |
| 76762 - *5*8 | | | | | | | 0.76 | |
| 76762 - *0*4 | 10 | 60 | 10 | 27.00 | 18.00 | 5.15 | 1.27 | |
| 76762 - *0*9 | | | | | | | 0.76 | |
| 76762 - *5*4 | 25 | 150 | 25 | 57.00 | 48.00 | 5.15 | 1.27 | |
| 76762 - *5*9 | | | | | | | 0.76 | |



| | | | | | | |
|--|-----------------|---------------------------------------|--|--------------------|---|------------------------------|
| ADD TAIL LENGTH EC NO. LUCEP2011-2182 DRAWING DATE 2010/01/24 CHKD: SOWWELLY 2010/01/21 APPR: SMILLER 2010/02/17 | QUALITY SYMBOLS | GENERAL TOLERANCES (UNLESS SPECIFIED) | DIMENSION STYLE MM ONLY | SCALE 1:1 | DESIGN UNITS METRIC | THIRD ANGLE PROJECTION |
| | ▽=0 | 4 PLACES ± --- ± --- | DRAWN BY JJONIAK | DATE 2008/07/09 | TITLE VHDM H-SERIES 6 ROW BACKPLANE SHIELD END | |
| | ▽=0 | 3 PLACES ± --- ± --- | CHECKED BY JJONIAK | DATE 2008/07/09 | MOLEX INCORPORATED | |
| | ▽=0 | 2 PLACES ± 0.25 ± --- | APPROVED BY SMILLER | DATE 2010/03/09 | MATERIAL NO. | DOCUMENT NO. SD-76762-001 |
| | | 1 PLACE ± 0.38 ± --- | ANGULAR ± 1/2° | | THIS DRAWING CONTAINS INFORMATION THAT IS PROPRIETARY TO MOLEX INCORPORATED AND SHOULD NOT BE USED WITHOUT WRITTEN PERMISSION | |
| | | | DRAFT WHERE APPLICABLE MUST REMAIN WITHIN DIMENSIONS | | SEE TABLE | |

12 11 10 9 8 7 6 5 4 3 2 1