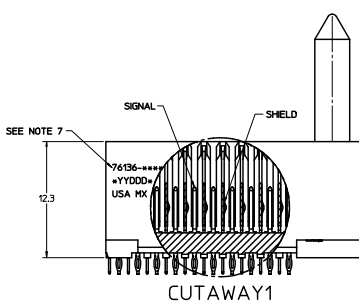
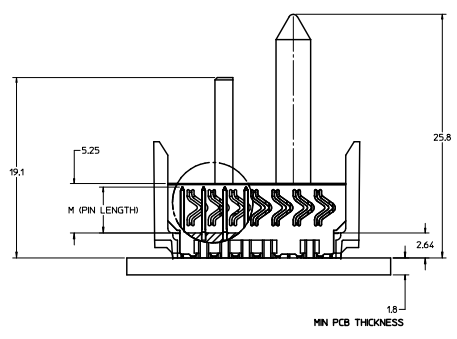
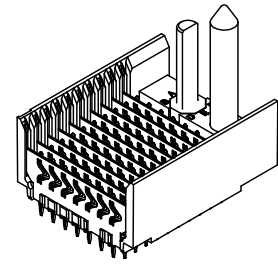
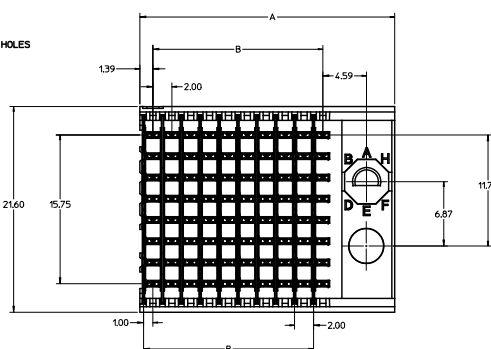
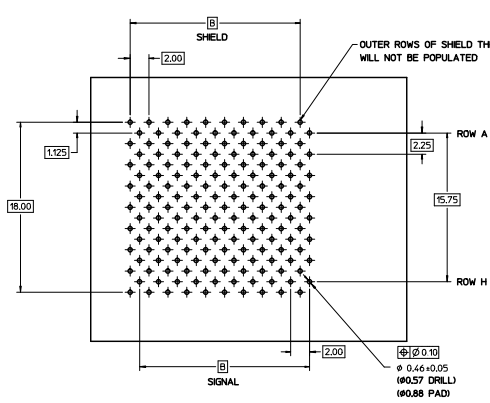


20 19 18 17 16 15 14 13 12 11 10 9 8 7 6 5 4 3 2 1



- NOTES:
1. MATERIALS:
HOUSING - LIQUID CRYSTAL POLYMER (LCP)
GLASS FILLED, UL94V-0, BLACK
SIGNAL PIN AND SHIELD - COPPER ALLOY
 2. FINISHES:
CONTACT AREA - SELECTIVE GOLD (Au)
PCB TAILS - SELECTIVE TIN/LEAD (Sn/Pb) OR MATTE TIN (Sn)
 3. THIS PART CONFORMS TO MOLEX PRODUCT SPECIFICATION PS-74031-999.
 4. FOR MIXED CONTACT LENGTH CONTACT MOLEX FOR AVAILABILITY.
 5. FOR SPECIFIC MATERIAL NUMBERS AND MATING INFORMATION REFER TO SHEET 2.
 6. PACKAGE PER PK-74061-003.
 7. ASSEMBLY WILL BE MARKED WITH P/N AND DATE CODE WITH LASER MARK ON SIDE OF HOUSING

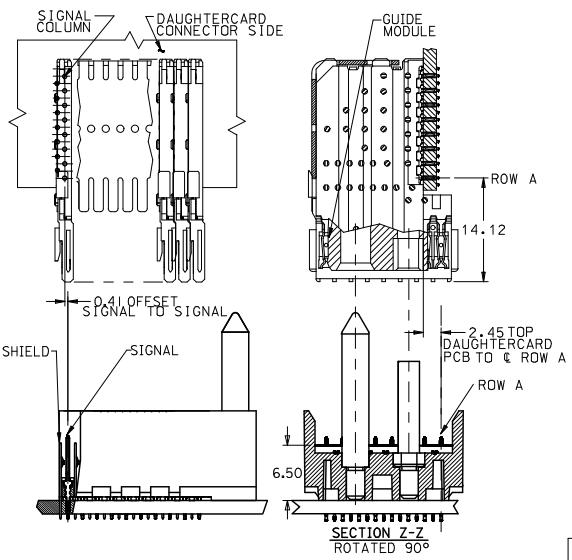
MOLEX 76136-001 2008/04/11 CHICKS BINGHAM APPROVALS 2010/07/14	QUALITY SYMBOLS	GENERAL TOLERANCES (UNLESS SPECIFIED)	DIMENSION STYLE	SCALE	DESIGN UNITS	THIRD ANGLE PROJECTION																
	$\nabla=0$ $\nabla=0$ $\nabla=0$	<table border="1"> <thead> <tr> <th></th> <th>mm</th> <th>INCH</th> </tr> </thead> <tbody> <tr> <td>4 PLACES ±---</td> <td>±---</td> <td>±---</td> </tr> <tr> <td>3 PLACES ±---</td> <td>±---</td> <td>±---</td> </tr> <tr> <td>2 PLACES ± 0.15</td> <td>±---</td> <td>±---</td> </tr> <tr> <td>1 PLACE ± 0.25</td> <td>±---</td> <td>±---</td> </tr> <tr> <td colspan="3">ANGULAR ±1/2°</td> </tr> </tbody> </table>		mm	INCH	4 PLACES ±---	±---	±---	3 PLACES ±---	±---	±---	2 PLACES ± 0.15	±---	±---	1 PLACE ± 0.25	±---	±---	ANGULAR ±1/2°			DIMENSION STYLE MM ONLY SCALE 5:1 DESIGN UNITS METRIC	THIRD ANGLE PROJECTION
		mm	INCH																			
	4 PLACES ±---	±---	±---																			
3 PLACES ±---	±---	±---																				
2 PLACES ± 0.15	±---	±---																				
1 PLACE ± 0.25	±---	±---																				
ANGULAR ±1/2°																						
DRAWN BY JONIAK DATE 2008/04/11 CHECKED BY BINGHAM DATE 2008/04/11 APPROVED BY BINGHAM DATE 2008/04/11	TITLE VHDM H-SERIES 8 ROW SHIELD END BACKPLANE SALES DRAWING	MOLEX MOLEX INCORPORATED	SHEET NO. 1 OF 2																			
MATERIAL NO. SEE SHEET 2 DOCUMENT NO. SD-76136-001	DRAFT WHERE APPLICABLE MUST REMAIN WITHIN DIMENSIONS	THIS DRAWING CONTAINS INFORMATION THAT IS PROPRIETARY TO MOLEX INCORPORATED AND SHOULD NOT BE USED WITHOUT WRITTEN PERMISSION																				

19 18 17 16 15 14 13 12 11 10 9 8 7 6 5 4 3 2 1

13 12 11 10 9 8 7 6 5 4 3 2 1

M/N 76136-()	-**0*	-**1*	-**2*	-**3*	-**4*	-**5*	-**6*	-**7*	-**8*
KEYING PIN ORIENTATION									

76136 - * * * *
 NUMBER OF COLUMNS/PLATING
 10 = 10 COLUMN TIN/LEAD
 25 = 25 COLUMN TIN/LEAD
 90 = 10 COLUMN MATTE TIN
 85 = 25 COLUMN MATTE TIN
 CONTACT LOAD
 (PIN LENGTH)
 1 & 6 = 4.75
 2 & 7 = 6.25
 3 & 8 = 6.25
 4 & 9 = 5.15



PART NUMBER	COLUMN	NUMBER OF SIGNAL	NUMBER OF SHIELD	A	B	M	Au (um) THICKNESS	Sn (um) THICKNESS
76136-*0*1	10	80	10	27.00	18.00	4.75	0.76	0.76-1.52
76136-*0*6							1.27	
76136-*5*1	25	200	25	57.00	48.00	6.25	0.76	
76136-*5*6							1.27	
76136-*0*2	10	80	10	27.00	18.00	6.25	0.76	
76136-*0*7							1.27	
76136-*5*2	25	200	25	57.00	48.00	6.25	0.76	
76136-*5*7							1.27	
76136-*0*3	10	80	10	27.00	18.00	4.25	0.76	
76136-*0*8							1.27	
76136-*5*3	25	200	25	57.00	48.00	5.15	0.76	
76136-*5*8							1.27	
76136-*0*4	10	80	10	27.00	18.00	5.15	0.76	
76136-*0*9							1.27	
76136-*5*4	25	200	25	57.00	48.00	5.15	0.76	
76136-*5*9							1.27	

SEE SHEET 1 EC NO. UFE2010-1574 DRAWN BY JONIAK 2008/04/11 CHECKED BY BINGHAM 2008/04/11 APPR: SILLER 2008/07/14	QUALITY SYMBOLS	GENERAL TOLERANCES (UNLESS SPECIFIED)	DIMENSION STYLE	SCALE	DESIGN UNITS	THIRD ANGLE PROJECTION
	∇=0 ∇=0 ∇=0	4 PLACES ± mm ± INCH 3 PLACES ± --- ± --- 2 PLACES ± 0.15 ± --- 1 PLACE ± 0.25 ± --- ANGULAR ± 1/2°	MM ONLY	1:1	METRIC	TITLE: VHDM H-SERIES 8 ROW SHIELD END BACKPLANE SALES DRAWING MOLEX INCORPORATED
	DRAFT WHERE APPLICABLE MUST REMAIN WITHIN DIMENSIONS	SEE TABLE	DRAWN BY DATE: JONIAK 2008/04/11 CHECKED BY DATE: BINGHAM 2008/04/11 APPROVED BY DATE: BINGHAM 2008/04/11	MATERIAL NO. SD-76136-001 DOCUMENT NO.	SHEET NO. 2 OF 2	
	THIS DRAWING CONTAINS INFORMATION THAT IS PROPRIETARY TO MOLEX INCORPORATED AND SHOULD NOT BE USED WITHOUT WRITTEN PERMISSION					

12 11 10 9 8 7 6 5 4 3 2 1