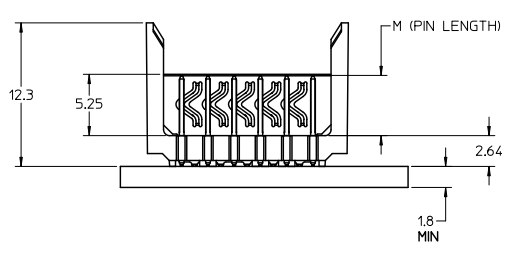
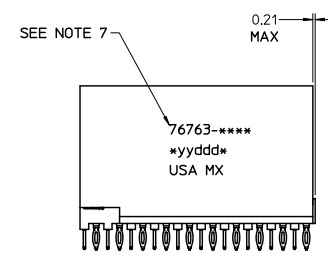
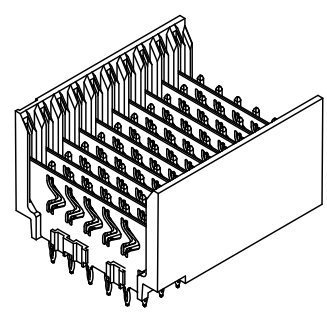
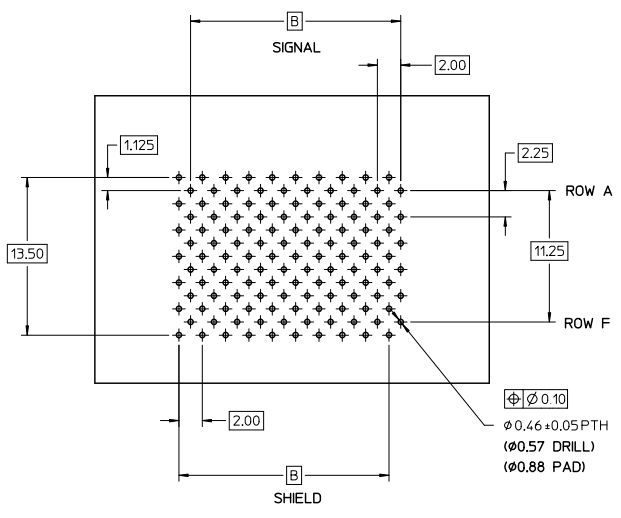
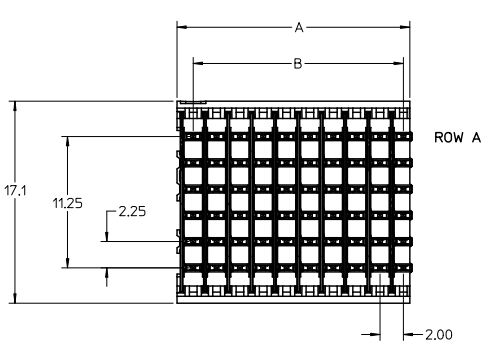


13 12 11 10 9 8 7 6 5 4 3 2 1



- NOTES:
- MATERIALS:  
HOUSING - LIQUID CRYSTAL POLYMER (LCP)  
GLASS FILLED, UL94V-0, BLACK  
SIGNAL PIN AND SHIELD - COPPER ALLOY
  - FINISHES:  
CONTACT AREA - SELECTIVE GOLD (Au)  
PCB TAILS - SELECTIVE TIN/LEAD (SnPb) OR MATTE TIN (Sn)
  - THIS PART CONFORMS TO MOLEX PRODUCT SPECIFICATION PS-74031-999.
  - FOR MIXED CONTACT LENGTH CONTACT MOLEX FOR AVAILABILITY.
  - FOR SPECIFIC MATERIAL NUMBERS AND MATING INFORMATION REFER TO SHEET 2.
  - PACKAGE PER PK-74057-003.
  - ASSEMBLY WILL BE MARKED WITH P/N AND DATE CODE WITH LASER MARK ON SIDE OF HOUSING OR BY LABEL ON THE TUBE.

SEE SHEET 2 EIC NO. UEP2010-1510 DRAWN: JONIAK 2010/03/05 CHECKED: JONELSON 2010/03/09 APPR: SMILLER 2010/03/09	QUALITY SYMBOLS ∇=0 ∇=0 ∇=0	GENERAL TOLERANCES (UNLESS SPECIFIED)		DIMENSION STYLE		SCALE	DESIGN UNITS	THIRD ANGLE PROJECTION		
				MM ONLY		2:1	METRIC			
						DRAWN BY	DATE	TITLE		
						JJONIAK	2008/07/09	VHDM H-SERIES 6 ROW OPEN END BACKPLANE		
						CHECKED BY	DATE	MOLEX INCORPORATED		
						JJONIAK	2008/07/09	MATERIAL NO. SD-76763-001		
						APPROVED BY		DOCUMENT NO.		
						SMILLER		2010/03/09		
						MATERIAL NO.		SHEET NO.		
						SEE SHEET 2		1 OF 2		
						THIS DRAWING CONTAINS INFORMATION THAT IS PROPRIETARY TO MOLEX INCORPORATED AND SHOULD NOT BE USED WITHOUT WRITTEN PERMISSION				

Id\_frame\_C\_P\_AM\_T  
Rev. F 2009/06/18

12 11 10 9 8 7 6 5 4 3 2 1

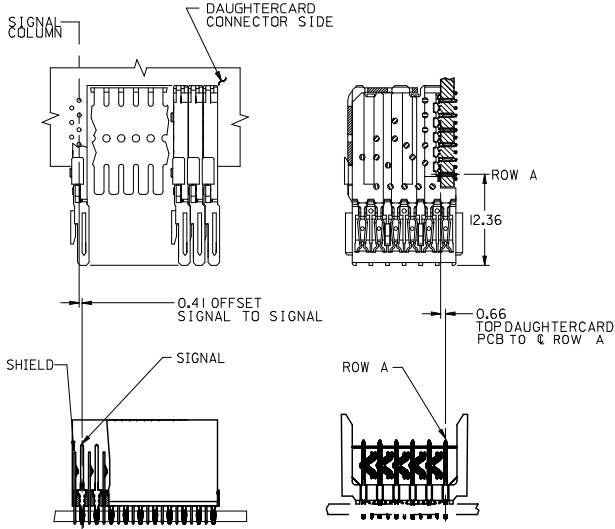
13 12 11 10 9 8 7 6 5 4 3 2 1

PART NUMBER	COLUMN	NUMBER OF SIGNAL PIN	NUMBER OF SHIELD	A	B	M	Au (um) THICKNESS
76763-1001	10	60	10	20.00	18.00		0.76
76763-1006	10	60	10	20.00	18.00		1.27
76763-1501	15	90	15	30.00	28.00	4.75	0.76
76763-1506	15	90	15	30.00	28.00	4.75	1.27
76763-2501	25	150	25	50.00	48.00		0.76
76763-2506	25	150	25	50.00	48.00		1.27
76763-1002	10	60	10	20.00	18.00		0.76
76763-1007	10	60	10	20.00	18.00		1.27
76763-1502	15	90	15	30.00	28.00	6.25	0.76
76763-1507	15	90	15	30.00	28.00	6.25	1.27
76763-2502	25	150	25	50.00	48.00		0.76
76763-2507	25	150	25	50.00	48.00		1.27
76763-1003	10	60	10	20.00	18.00		0.76
76763-1008	10	60	10	20.00	18.00		1.27
76763-1503	15	90	15	30.00	28.00	4.25	0.76
76763-1508	15	90	15	30.00	28.00	4.25	1.27
76763-2503	25	150	25	50.00	48.00		0.76
76763-2508	25	150	25	50.00	48.00		1.27
76763-1004	10	60	10	20.00	18.00		0.76
76763-1009	10	60	10	20.00	18.00		1.27
76763-1504	15	90	15	30.00	28.00	5.15	0.76
76763-1509	15	90	15	30.00	28.00	5.15	1.27
76763-2504	25	150	25	50.00	48.00		0.76
76763-2509	25	150	25	50.00	48.00		1.27

TIN/LEAD TABLE

PART NUMBER	COLUMN	NUMBER OF SIGNAL PIN	NUMBER OF SHIELD	A	B	M	Au (um) THICKNESS
76763-9001	10	60	10	20.00	18.00		0.76
76763-9006	10	60	10	20.00	18.00		1.27
76763-9501	15	90	15	30.00	28.00	4.75	0.76
76763-9506	15	90	15	30.00	28.00	4.75	1.27
76763-8501	25	150	25	50.00	48.00		0.76
76763-8506	25	150	25	50.00	48.00		1.27
76763-9002	10	60	10	20.00	18.00		0.76
76763-9007	10	60	10	20.00	18.00		1.27
76763-9502	15	90	15	30.00	28.00	6.25	0.76
76763-9507	15	90	15	30.00	28.00	6.25	1.27
76763-8502	25	150	25	50.00	48.00		0.76
76763-8507	25	150	25	50.00	48.00		1.27
76763-9003	10	60	10	20.00	18.00		0.76
76763-9008	10	60	10	20.00	18.00		1.27
76763-9503	15	90	15	30.00	28.00	4.25	0.76
76763-9508	15	90	15	30.00	28.00	4.25	1.27
76763-8503	25	150	25	50.00	48.00		0.76
76763-8508	25	150	25	50.00	48.00		1.27
76763-9004	10	60	10	20.00	18.00		0.76
76763-9009	10	60	10	20.00	18.00		1.27
76763-9504	15	90	15	30.00	28.00	5.15	0.76
76763-9509	15	90	15	30.00	28.00	5.15	1.27
76763-8504	25	150	25	50.00	48.00		0.76
76763-8509	25	150	25	50.00	48.00		1.27

LEAD FREE TABLE



MATERIAL NUMBER ASSIGNMENT

76763-\*\*-\*\* \*\* SEE TABLES

- NUMBER OF COLUMNS/PLATING
- 10 = 10 COLUMN TIN/LEAD
- 15 = 15 COLUMN TIN/LEAD
- 25 = 25 COLUMN TIN/LEAD
- 90 = 10 COLUMN MATTE TIN
- 95 = 15 COLUMN MATTE TIN
- 85 = 25 COLUMN MATTE TIN

CORRECT PINS IN TABLES EC NO: UCP2010-4510 DRAWN: JONIAK 2010/03/09 CHKD: JIELTON 2010/03/09 APPR: SMILLER 2010/03/09	QUALITY SYMBOLS	GENERAL TOLERANCES (UNLESS SPECIFIED)	DIMENSION STYLE MM ONLY	SCALE 1:1	DESIGN UNITS METRIC	THIRD ANGLE PROJECTION
	▽=0	4 PLACES ± --- ± ---	DRAWN BY J JONIAK	DATE 2008/07/09	TITLE VHDM H-SERIES 6 ROW OPEN END BACKPLANE	
	▽=0	3 PLACES ± --- ± ---	CHECKED BY J JONIAK	DATE 2008/07/09	MATERIAL NO. SD-76763-001	
	▽=0	2 PLACES ± 0.15 ± --- 1 PLACE ± 0.25 ± --- ANGULAR ± 1/2°	APPROVED BY SMILLER	DATE 2010/03/09	DOCUMENT NO. SD-76763-001	
REV	DRAFT WHERE APPLICABLE MUST REMAIN WITHIN DIMENSIONS	SIZE C	THIS DRAWING CONTAINS INFORMATION THAT IS PROPRIETARY TO MOLEX INCORPORATED AND SHOULD NOT BE USED WITHOUT WRITTEN PERMISSION			

12 11 10 9 8 7 6 5 4 3 2 1