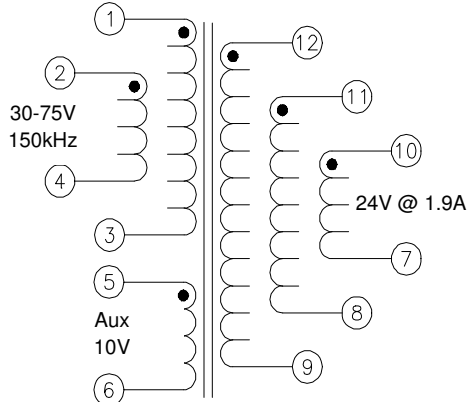
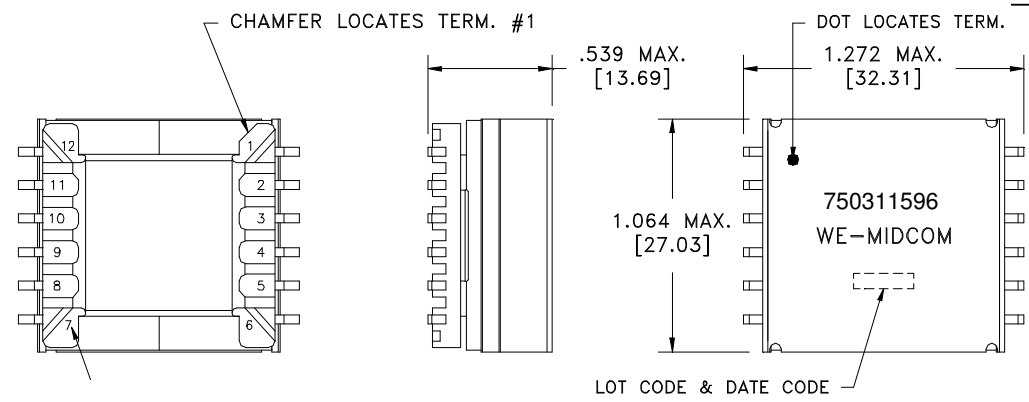
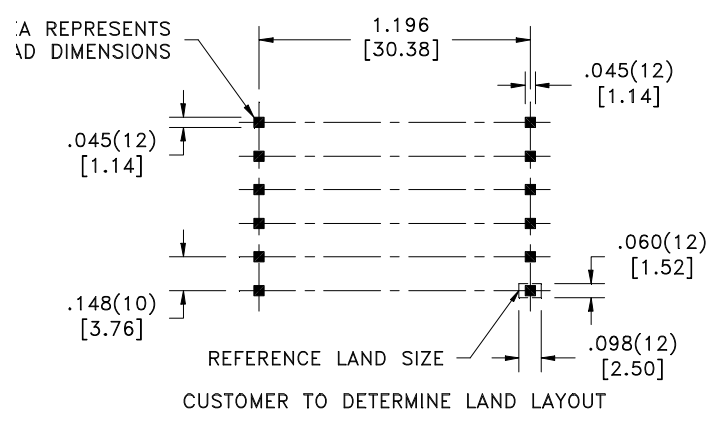


| | | |
|-------------------|------|---------------|
| CUSTOMER TERMINAL | RoHS | LEAD(Pb)-FREE |
| Sn96%, Ag4% | Yes | Yes |



Customer tie terminals 1&2, 3&4, 7&8&9 and 10&11&12 on pcb for correct operation



ELECTRICAL SPECIFICATIONS @ 25°C unless otherwise noted:

| | |
|--------------------------|--|
| D.C. RESISTANCE (@20°C): | 1-3 (1+2,3+4), 0.030 Ohms max. 12-9 (12+11+10,9+8+7), 0.030 Ohms max. 5-6, 0.025 Ohms max. |
| DIELECTRIC RATING: | 1500VAC, 1 minute tested by applying 1875VAC for 1 second between pins 1-12(1+2+4,7+8+9). |
| INDUCTANCE: | 12.00µH ±10%, 150kHz, 100mVAC, 0mADC, 1-3, Ls. |
| SATURATION CURRENT: | 18A saturating current that causes 20% rolloff from initial inductance. |
| LEAKAGE INDUCTANCE: | 200nH typ, 400nH max, 100kHz, 50mVAC, 1-3(1+2,3+4,5+6,7+8+9+10+11+12), Ls. |
| URNS RATIO: | (1-3):(5-6), (3.00):(1.00), ±1%. (1-3):(12-9), (1.50):(1.00), ±1%. |

OPERATING TEMPERATURE RANGE: -40°C to 85°C including temp. rise.

| | | | | |
|---|---|------------|--------------------------------------|------------|
| WE-Midcom, Inc. Watertown, SD USA Toll Free: 800-643-2661 Fax: 605-886-4486 | Unless otherwise specified, tolerances are as follows: Angles: ±1° Fractions: ±1/64 Decimals: ±.005 (.127mm) | | WE-Midcom, Inc. | |
| | Drawing Title <h1>Transformer</h1> | | Drawing Number <h2>750311596</h2> | Rev. 00 |
| Revisions: See Sheet 1 | | Scale ---- | Sheet 2 of 5 | |
| Engineer:TST | | 03/24/2010 | | |