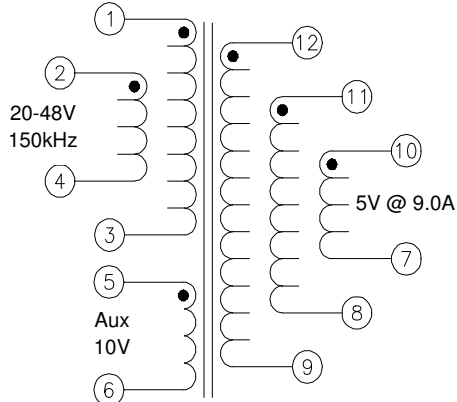
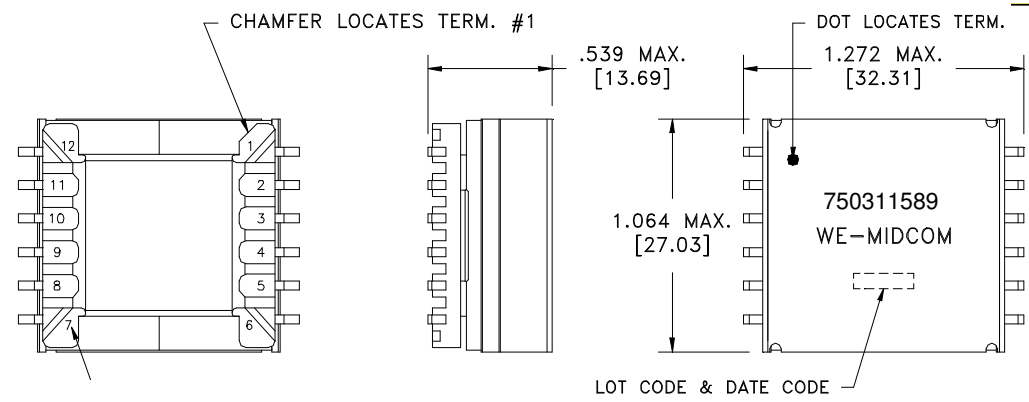
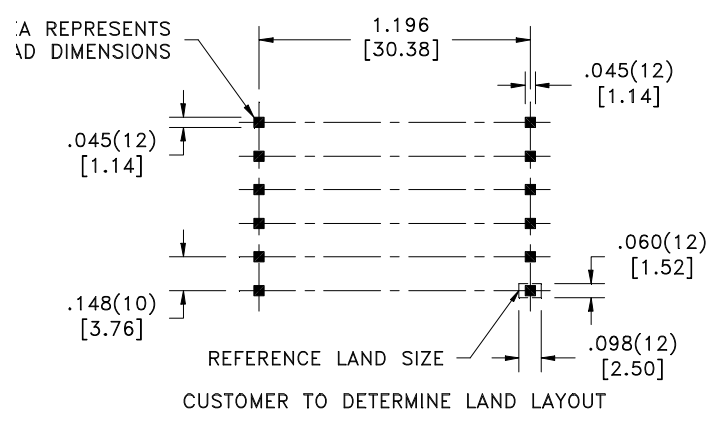


CUSTOMER TERMINAL	RoHS	LEAD(Pb)-FREE
Sn96%, Ag4%	Yes	Yes



Customer tie terminals 1&2, 3&4, 7&8&9 and 10&11&12 on pcb for correct operation



ELECTRICAL SPECIFICATIONS @ 25°C unless otherwise noted:

- D.C. RESISTANCE (@20°C):
 1-3 (1+2,3+4), 0.020 Ohms max.
 12-9 (12+11+10,9+8+7), 0.006 Ohms max.
 5-6, 0.050 Ohms max.
- DIELECTRIC RATING: 1500VAC, 1 minute tested by applying 1875VAC for 1 second between pins 1-12(1+2+4,7+8+9).
- INDUCTANCE: 6.00µH ±10%, 150kHz, 100mVAC, 0mADC, 1-3, Ls.
- SATURATION CURRENT: 18A saturating current that causes 20% rolloff from initial inductance.
- LEAKAGE INDUCTANCE: 200nH typ, 400nH max, 100kHz, 50mVAC, 1-3(1+2,3+4,5+6,7+8+9+10+11+12), Ls.
- TURNS RATIO:
 (1-3):(5-6), (1.50):(1.00), ±1%.
 (1-3):(12-9), (3.00):(1.00), ±1%.

OPERATING TEMPERATURE RANGE: -40°C to 85°C including temp. rise.

WE-Midcom, Inc. Watertown, SD USA Toll Free: 800-643-2661 Fax: 605-886-4486	Unless otherwise specified, tolerances are as follows: Angles: ±1° Fractions: ±1/64 Decimals: ±.005 (.127mm)		WE-Midcom, Inc.	
	Drawing Title <h1>Transformer</h1>		Drawing Number <h2>750311589</h2>	Rev. 00
Revisions: See Sheet 1		Scale ----	Sheet 2 of 5	
Engineer:TST		03/24/2010		