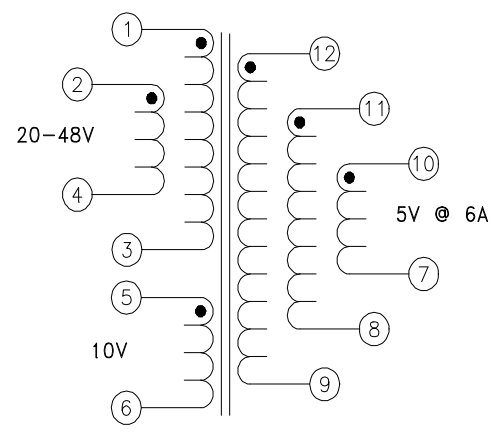
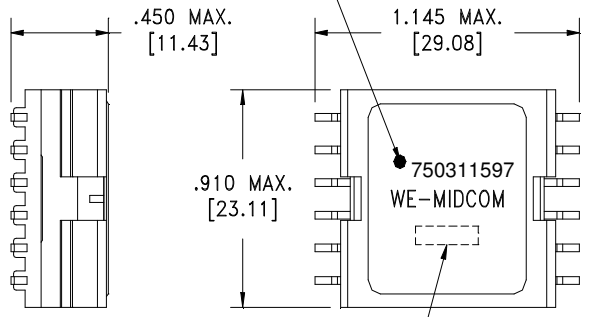
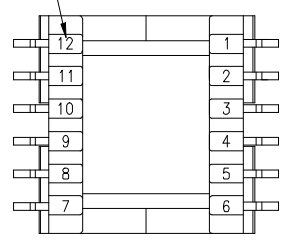


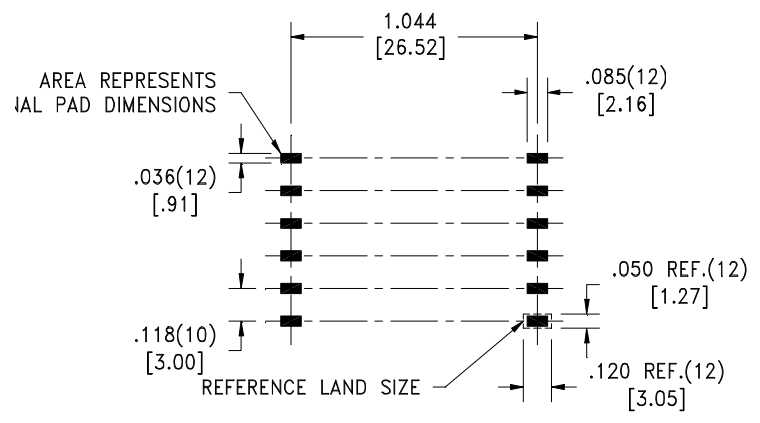
CUSTOMER TERMINAL	RoHS	LEAD(Pb)-FREE
Sn96%, Ag4%	Yes	Yes



TERM. NO.'s FOR REF. ONLY



LOT CODE & DATE CODE



CUSTOMER TO DETERMINE LAND LAYOUT

Application of the transformer allows for the following groups of wires to solder bridge: 1&2, 3&4, 10&11&12, and 7&8&9.

ELECTRICAL SPECIFICATIONS @ 25°C unless otherwise noted:

- D.C. RESISTANCE (@20°C):
 - 1-3 (1+2,3+4), 0.020 Ohms max.
 - 7-12 (7+8+9,10+11+12), 0.0040 Ohms max.
 - 5-6, 0.055 Ohms max.
- DIELECTRIC RATING: 1500VAC, 1 minute tested by applying 1875VAC for 1 second between pins 1-12.
- INDUCTANCE: 6.0µH ±10%, 150kHz, 100mVAC, 0mADC, 1-3(1+2,3+4), Ls.
- LEAKAGE INDUCTANCE: 300nH typ., 150kHz, 100mVAC, 1-3(1+2,3+4,7+8+9+10+11+12), Ls.
- SATURATION CURRENT: 9.50A saturating current that causes 20% rolloff from initial inductance.
- URNS RATIO:
 - (1-3):(12-9), (3):(1.00), ±1%.
 - (1-3):(11-8), (3):(1.00), ±1%.
 - (1-3):(10-7), (3):(1.00), ±1%.
 - (1-3):(5-6), (1.5):(1.00), ±1%.
 - (1-3):(2-4), (1):(1.00), ±1%.

Preliminary

OPERATING TEMPERATURE RANGE: -40°C to 125°C.

Midcom, Inc. Watertown, SD USA Toll Free: 800-643-2661 Fax: 605-886-4486	Unless otherwise specified, tolerances are as follows: Angles: ±1° Fractions: ±1/64 Decimals: ±.005 (.127mm)		Midcom, Inc.	
	Drawing Title <h1>Transformer</h1>		Drawing Number <h1>750311597</h1>	Rev. <h1>00</h1>
Revisions: See Sheet 1		Scale ----	Sheet 2 of 5	
Engineer:PLP		03/24/2010		

This drawing is dual dimensioned. Dimensions in brackets are in millimeters