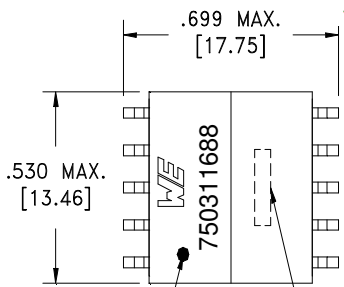
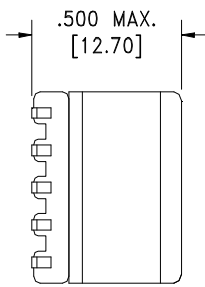
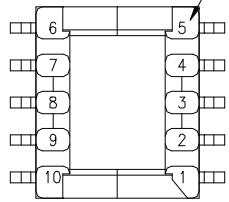


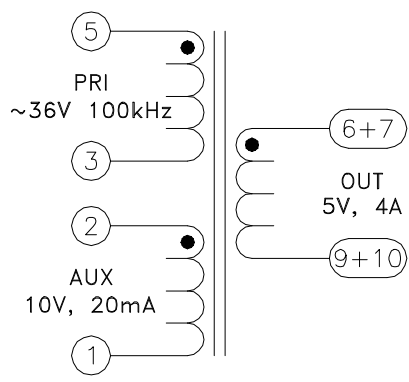
CUSTOMER TERMINAL	RoHS	LEAD(Pb)-FREE
Sn96%, Ag4%	Yes	Yes



TERM. NO.'s FOR REF. ONLY

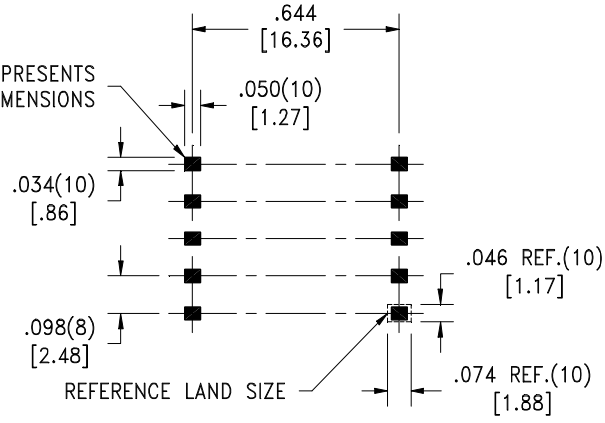


DOT LOCATES TERM. #1
LOT CODE & DATE CODE



Application of the transformer allows for the leadwires between terminals 6&7 and 9&10 to solder bridge.

AREA REPRESENTS TERMINAL PAD DIMENSIONS



CUSTOMER TO DETERMINE LAND LAYOUT

ELECTRICAL SPECIFICATIONS @ 25°C unless otherwise noted:

D.C. RESISTANCE (@20°C):	1-2 , 0.140 Ohms ±10%.
	3-5 , 0.080 Ohms ±20%.
	6-9 (tie 6+7, 9+10), 0.008 Ohms ±20%.
DIELECTRIC RATING:	1500VAC, 1 minute tested by applying 1875VAC for 1 second between pins 1-9(tie 2+3, 6+7).
	500VAC, 1 minute tested by applying 625VAC for 1 second between pins 1-5.
INDUCTANCE:	50µH ±10%, 10kHz, 100mVAC, 0mADC, 3-5, Ls.
SATURATION CURRENT:	3.1A saturating current that causes 20% rolloff from initial inductance.
LEAKAGE INDUCTANCE:	600nH typ., 1.2µH max., 100kHz, 100mVAC, 3-5(tie 1+2, 6+7+9+10), Ls.
URNS RATIO:	(5-3):(2-1) , (2.5):(1) , ±1%.
	(5-3):(6-9) , (5):(1) , tie(6+7, 9+10), ±1%.

OPERATING TEMPERATURE RANGE: -40°C to 125°C including temp. rise.

T_0_2381

WE-Midcom, Inc. Watertown, SD USA Toll Free: 800-643-2661 Fax: 605-886-4486	Unless otherwise specified, tolerances are as follows: Angles: ±1° Fractions: ±1/64 Decimals: ±.005(.127mm)		WE-Midcom, Inc.	
	Drawing Title <h1>Transformer</h1>		Drawing Number <h2>750311688</h2>	Rev. 01
Revisions: See Sheet 1		Scale ----	Sheet 2 of 5	
Engineer:APS			08/11/2010	