

4

3

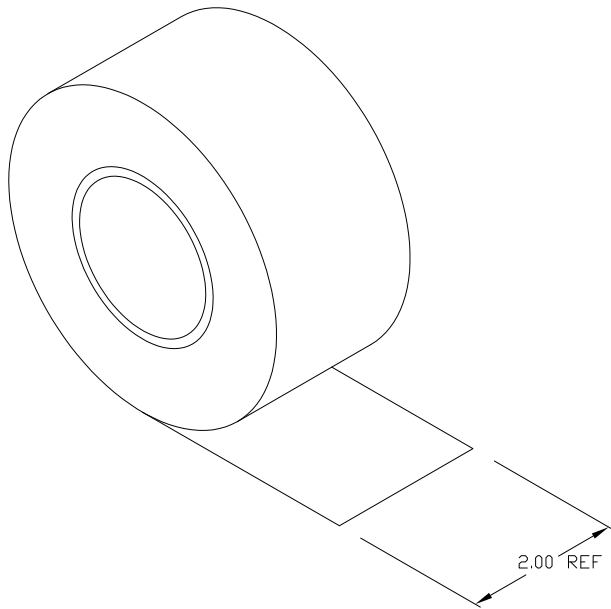
2

1

THIS DRAWING IS UNPUBLISHED. RELEASED FOR PUBLICATION  
 © COPYRIGHT - BY TYCO ELECTRONICS CORPORATION. ALL INTERNATIONAL RIGHTS RESERVED.

LOC	DIST	REVISIONS				
P	LTR	DESCRIPTION	DATE	DWN	APVD	
HM	00					
	C	REV ECO-10-023675	22NOV2010	LH	SJ	

1. ALL DIMENSIONS ARE FOR REFERENCE ONLY.
  2. .013 THICK x 60 YARDS PER ROLL.
- △ 3 MATERIAL: ADHESIVE BACKED POLYETHYLENE COATED COTTON CLOTH (BLACK).



553481-1  
 PART NUMBER

THIS DRAWING IS A CONTROLLED DOCUMENT.		DWN	L. HALL	22MAR04	Tyco Electronics Corporation Harrisburg, PA 17105-3608	
DIMENSIONS:		CHK	S. MUIR	22MAR04		
INCHES		APVD	S. MUIR	22MAR04	NAME	
		PRODUCT SPEC			TAPE, MULTI-PURPOSE, WATERPROOF	
0 PLC ± - 1 PLC ± - 2 PLC ± - 3 PLC ± - 4 PLC ± - ANGLES ± -		APPLICATION SPEC			RESTRICTED TO	
MATERIAL		WEIGHT			SIZE	CAGE CODE
FINISH		-			A3	00779
-		-			DRAWING NO	
△ 3		-			C-553481	
		REMOVE FROM SHARP EDGES			SCALE	NTS
		MASTER DRAWING			SHEET	1 OF 1
					REV	C