

4

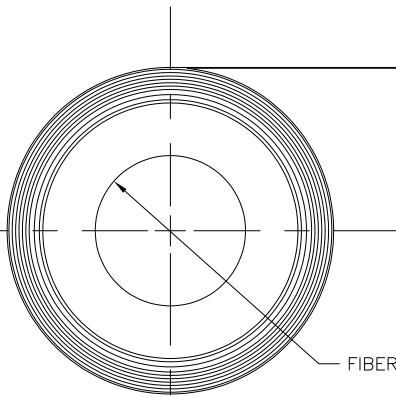
3

2

1

THIS DRAWING IS UNPUBLISHED. RELEASED FOR PUBLICATION
 © COPYRIGHT - By - ALL RIGHTS RESERVED.

LOC	DIST	REVISIONS			
P	LTR	DESCRIPTION	DATE	DWN	APVD
CM	00	G1	REVISED PER ECO-11-004587	11MAR11	RK HMR



THICKNESS
 ± 0.20 [.008]

FIBER HUB

RELEASE LINER

WIDTH ± 1.30 [.051]

COLOR STRIPE

- △ MATERIAL: SILICONE RUBBER.
- TAPE IS ROLLED ONTO A FIBER HUB TO LENGTHS INDICATED WITH COLOR STRIPES DOWN AND RELEASE LINER ON OUTSIDE.
 - THICKNESS TO BE MEASURED AT CENTER OF TAPE.
 - SELF-AMALGAMATING MATERIAL HAS A 1-YEAR SHELF-LIFE, WHICH BEGINS THE DAY ITS MADE. USE AFTER EXPIRATION CONSIDERABLY IMPEDES ITS ABILITY TO FUSE.

54/.12	4.57m [15 FT]	WHITE	BLACK	0.51 [.020]	25.4 [1.00]	ST1B215	1-608036-4
54/.12	4.57m [15 FT]	BLUE	RED	0.51 [.020]	25.4 [1.00]	ST1R215	1-608036-3
127/.28	10.97m[36 FT]	BLUE	CLEAR	0.51 [.020]	25.4 [1.00]	ST1C236	1-608036-2
576/1.27	10.97m[36 FT]	WHITE	RED	2.03 [.080]	38.1 [1.50]	ST12R836	608036-9
263/.58	10.97m[36 FT]	GREEN	RED	1.02 [.040]	31.8 [1.25]	ST14R436	608036-6
172/.38	10.97m[36 FT]	WHITE	GRAY	0.76 [.030]	25.4 [1.00]	ST1G336	608036-4
127/.28	10.97m[36 FT]	BLUE	GRAY	0.51 [.020]	25.4 [1.00]	ST1G236	608036-2
127/.28	10.97m[36 FT]	BLUE	RED	0.51 [.020]	25.4 [1.00]	ST1R236	608036-1
WEIGHT GRAMS/POUNDS	LENGTH MINIMUM	STRIPE COLOR	TAPE COLOR	THICKNESS	WIDTH	DESCRIPTIVE PART NO.	PART NUMBER

THIS DRAWING IS A CONTROLLED DOCUMENT.

DIMENSIONS:
mmTOLERANCES UNLESS
OTHERWISE SPECIFIED:

0 PLC	±
1 PLC	±
2 PLC	±
3 PLC	±
4 PLC	±
ANGLES	±

MATERIAL

FINISH



DWN 20-AUG-2002

S. HOOVER

CHK 20-AUG-2002

D. COLEY

APVD 20-AUG-2002

D. COLEY

PRODUCT SPEC

APPLICATION SPEC

WEIGHT

CUSTOMER DRAWING

20-AUG-2002

20-AUG-2002

20-AUG-2002

20-AUG-2002

20-AUG-2002

20-AUG-2002

20-AUG-2002

20-AUG-2002

20-AUG-2002

20-AUG-2002

TE Connectivity

TAPE, SILICONE FUSION

SIZE CAGE CODE DRAWING NO

A3 00779 C-608036

RESTRICTED TO

-

SCALE

-

SHEET

1 OF 1

REV

G1