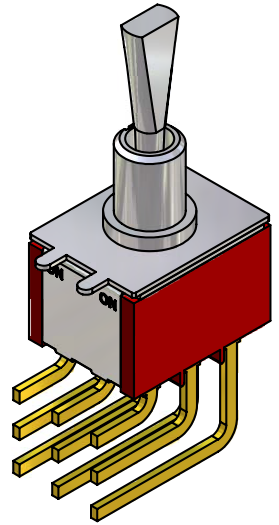
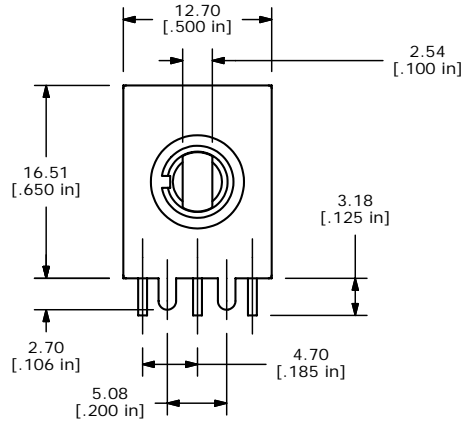
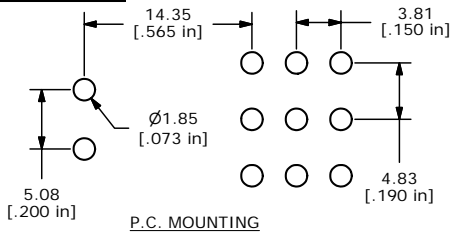
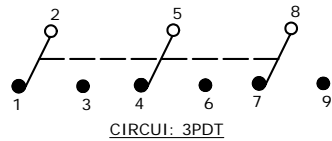


SHEET 1 OF 1

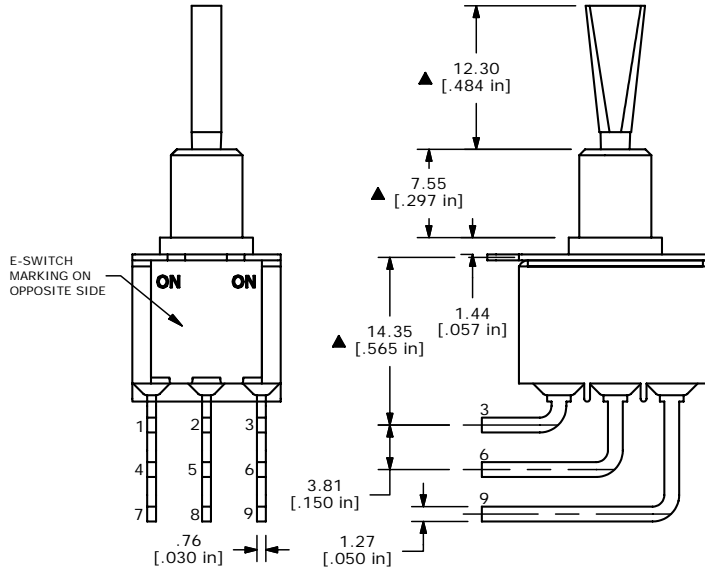


ISOMTRIC

SWITCH FUNCTION		
POS. 1	POS. 2	POS. 3
ON	NONE	ON
2-3, 5-6, 8-9	N/A	2-1, 5-4, 8-7



- NOTE:
1. ALL DIMENSIONS IN MM [INCH]
 2. GENERAL TOLERANCE: X.X=±0.4
X.XX=±0.25
 3. TERMINAL NUMBERS FOR REF ONLY
 - ▲ 4. PLATING MATERIAL: GOLD
 5. RATING: 0.4 VOLT-AMPS MAX. @ 20V MAX. AC OR DC
 6. ELECTRIC LIFE: 40,000 make-and-break cycles at full load.
 7. INSULATION RESISTANCE: 1,000 Mega-ohm min.
 8. DIELECTRIC STRENGTH: 1,000 V RMS @sea level.
 9. OPERATING TEMP.: -30°C to 85°C
 10. ▲ DENOTES CRITICAL PARAMETER.
 11. 2002/95/EC (ROHS) COMPLIANT



E-SWITCH®

B	15970	UPDATE P.C. MOUNTING LAYOUT	4/18/06	CT
A	15862	RELEASED FOR PRODUCTION	3/15/06	PH
REV	PCR NO	DESCRIPTION	DATE	BY

TITLE 1003P1T6B12M6RE				
SCALE 2:1	DATE 3/15/2006	DR PH	DWG T133006	REV B

THE INFORMATION CONTAINED IN THIS DOCUMENT IS PROPRIETARY TO E-SWITCH AND IS NOT TO BE COPIED OR TRANSFERRED