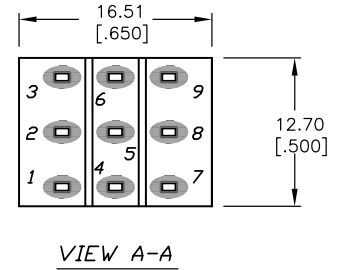
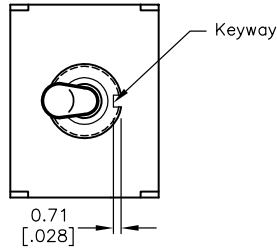
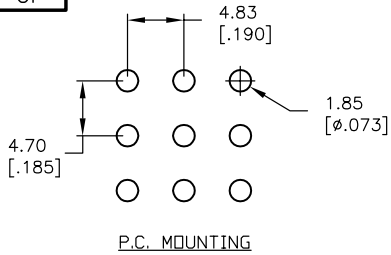
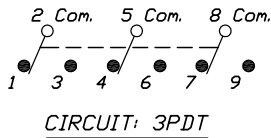


SHEET OF

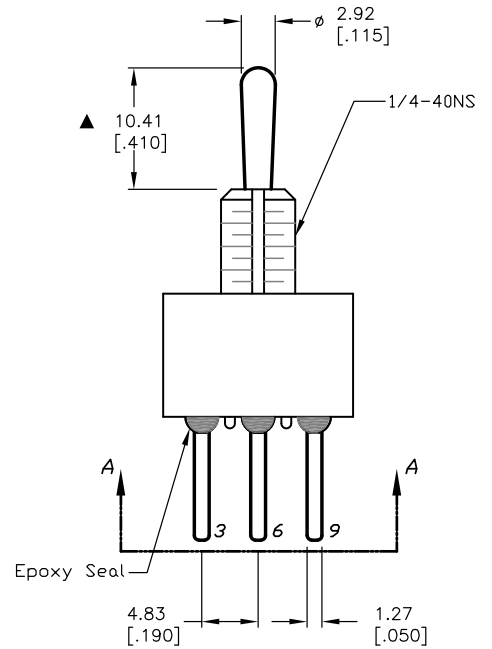
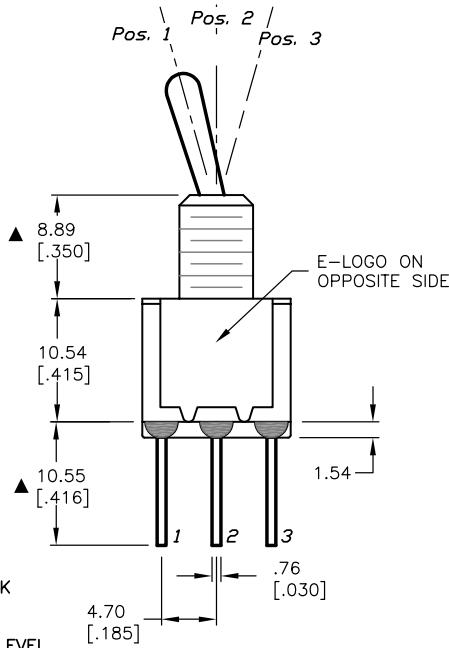


| SWITCH FUNCTION |        |                |
|-----------------|--------|----------------|
| POS. 1          | POS. 2 | POS. 3         |
|                 |        |                |
| ON              | OFF    | ON             |
| 2-3,5-6<br>8-9  | OPEN   | 2-1,5-4<br>8-7 |



NOTES:

1. ALL DIMENSIONS IN MM [INCH]
2. GENERAL TOLERANCE: X.X=±0.4  
X.XX=±0.25
3. TERM. NOS. FOR REF. ONLY
4. RATING: 5A @120VAC OR 28VDC;  
2A @250VAC
- ▲ 5. FIXED TERM. & MOVING CONTACT:  
COPPER ALLOY W/SILVER PLATE.
6. ELECTRICAL LIFE: 50,000 MAKE-AND-BREAK  
CYCLES AT FULL LOAD.
7. INSULATION RESISTANCE: 1,000M OHM MIN.
8. DIELECTRIC STRENGTH: 1000V RMS @SEA LEVEL
9. OPERATING TEMP.: -30°C to 85°C
10. ▲ DENOTES CRITICAL PARAMETER.



**E-SWITCH®**

|       |                 |      |         |    |    |     |         |     |   |
|-------|-----------------|------|---------|----|----|-----|---------|-----|---|
| TITLE | 1003P3T1B1M53QE |      |         |    |    |     |         |     |   |
| SCALE | 2:1             | DATE | 11/2/04 | DR | AR | DWG | T133053 | REV | A |

THE INFORMATION CONTAINED IN THIS DOCUMENT IS PROPRIETARY TO E-SWITCH AND IS NOT TO BE COPIED OR TRANSFERRED