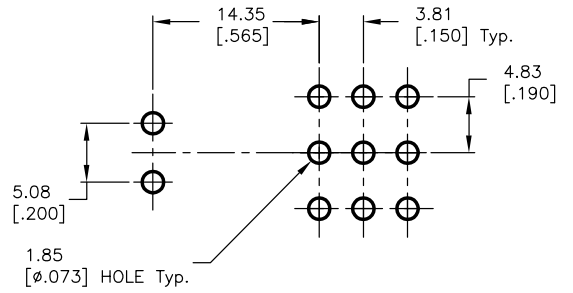
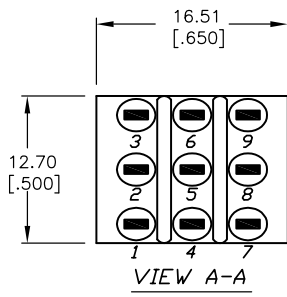
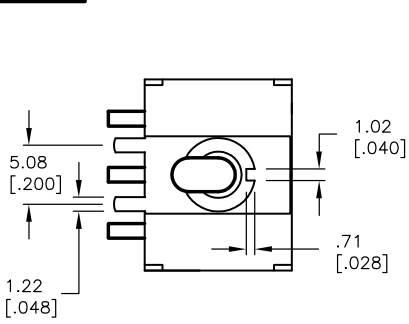
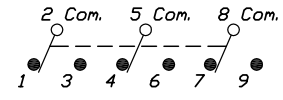
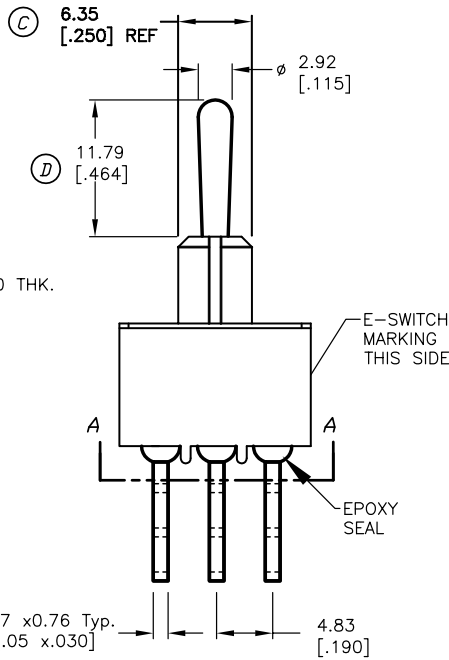
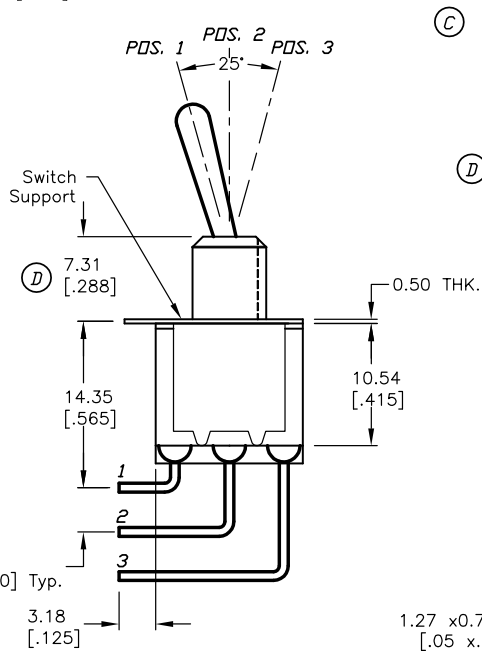


SHEET OF



RECOMMENDED P.C.B. LAYOUT

SWITCH FUNCTION		
PDS. 1	PDS. 2	PDS. 3
DN	NONE	DN
2-3,5-6 8-9	OPEN	2-1,5-4 8-7



NOTES:

CIRCUIT: 3PDT

- ALL DIMENSIONS IN MM [INCH]
- GENERAL TOLERANCE: X.X=±0.4
X.XX=±0.25
- TERMINAL NUMBERS FOR REF ONLY
- RATING: 0.4 (VA) Max. @20V Max.
- CONTACT MATERIAL:
Copper Alloy W/SILVER Plate over Nickel plate.
- ELECTRIC LIFE: 50,000 make-and-break cycles at full load.
- INSULATION RESISTANCE: 1,000 Mega-ohm min.
- DIELECTRIC STRENGTH: 1,000 V RMS @sea level.
- OPERATING TEMP.: -30°C to 85°C

E-SWITCH®

D	13412	CORRECT ACTUATOR & BUSHING	8/29/03	AR
C	12078	REVISED NOTE 5	6/21/01	CJB
REV.	ECN No.	DESCRIPTION	DATE	CHKD

THE INFORMATION CONTAINED IN THIS DOCUMENT IS PROPRIETARY TO E-SWITCH AND IS NOT TO BE COPIED OR TRANSFERRED

TITLE	100 3P-1 T1 B4 M7 R E (GOLD CONTACTS)			
SCALE	2:1	DATE	12/2/97	DR
			MM	DWG
			T131021	REV
				D