

### G-Series



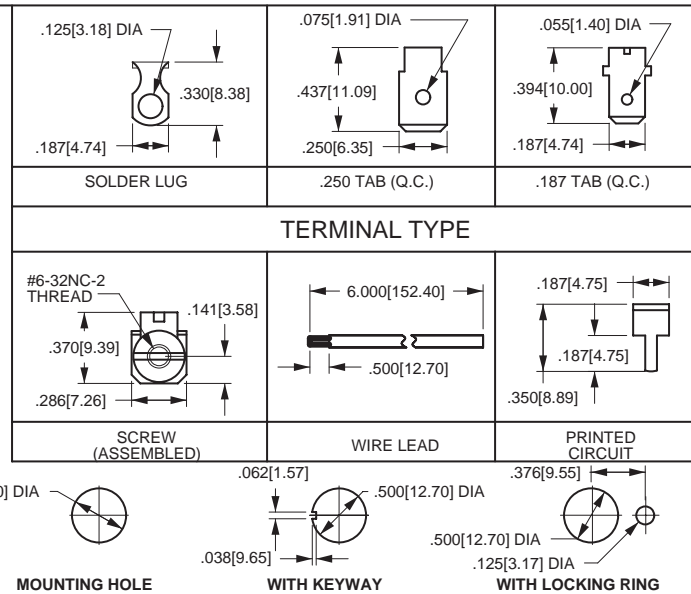
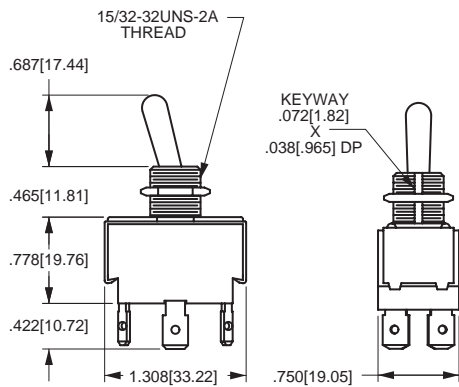
The G-Series toggle switches are single or double pole, AC rated up to 20 amps and contain a slow-make, slow-break contact mechanism. These switches are available in a wide range of ratings, terminations, circuits and bushing/toggle configurations.

### Specifications

- Certifications\*: UL, CSA, VDE
- Dielectric Strength: 1,000 V (minimum)
- Insulation Resistance: 100 Megohms (minimum)
- Base Material: Phenolic
- Actuator Material: Brass/Nickel Plate or Polycarbonate
- Bushing Material: Brass/Nickel Plate or Polycarbonate

\* Due to ongoing technological advances, consult factory for certification specifics.

### Dimensional Specifications: in. [mm]



SERIES	RATING <sup>2</sup>	TERMINATION/FUNCTION	TOGGLE STYLE <sup>3</sup>								
<b>2G</b>	<b>A</b>	<b>5</b>	<b>1</b>	<b>-</b>	<b>73</b>						
<b>2G</b> MAINTAINED <b>6G</b> MOMENTARY	<b>0</b> 20A 250VAC <b>5</b> 10A 250VAC 15A 125VAC 3/4HP 125-250VAC	FUNCTION ON-NONE-OFF (ON)-NONE-OFF ON-NONE-(OFF) ON-NONE-(ON) ON-OFF-ON ON-OFF-(ON) (ON)-OFF-(ON)	SOLDER LUG <b>0</b> <b>A</b> <b>L</b>	TAB (QC) <b>1</b> <b>B</b> <b>M</b>	TAB (QC) <b>3</b> <b>D</b> <b>R</b>	SCREW TERM. <b>4</b> <b>E</b> <b>S</b>	WIRE LEAD <b>5</b> <b>F</b> <b>T</b>	PC TERM. <b>6</b> <b>G</b> <b>U</b>			
<b>CIRCUIT<sup>1</sup></b>	<b>6</b> 3A 250VAC 6A 125VAC 1/4HP 125-250VAC	ON-NONE-(OFF) ON-NONE-(ON) ON-OFF-ON ON-OFF-(ON) (ON)-OFF-(ON)	<b>0</b> <b>A</b> <b>0</b>	<b>1</b> <b>B</b> <b>1</b>	<b>3</b> <b>D</b> <b>3</b>	<b>4</b> <b>E</b> <b>4</b>	<b>5</b> <b>F</b> <b>5</b>	<b>6</b> <b>G</b> <b>6</b>			
SINGLE POLE IN DOUBLE POLE BASE	<b>7</b> 12A 250VAC 17A 125VAC 1HP 250VAC	ON-NONE-(ON) ON-OFF-ON ON-OFF-(ON) (ON)-OFF-(ON)	<b>0</b> <b>A</b> <b>0</b>	<b>1</b> <b>B</b> <b>1</b>	<b>3</b> <b>D</b> <b>3</b>	<b>4</b> <b>E</b> <b>4</b>	<b>5</b> <b>F</b> <b>5</b>	<b>6</b> <b>G</b> <b>6</b>			
<b>A</b> ON-NONE-OFF <b>B</b> ON-NONE-ON <b>C</b> ON-OFF-ON	<b>9</b> 10A 250VAC 15A 125VAC 12(6)A 250VAC T85 3/4HP 125-250VAC	ON-NONE-(ON) ON-OFF-ON ON-OFF-(ON) (ON)-OFF-(ON)	<b>0</b> <b>A</b> <b>0</b>	<b>1</b> <b>B</b> <b>1</b>	<b>3</b> <b>D</b> <b>3</b>	<b>4</b> <b>E</b> <b>4</b>	<b>5</b> <b>F</b> <b>5</b>	<b>6</b> <b>G</b> <b>6</b>			
DOUBLE POLE	<b>72</b> 20A 125-277VAC 1 1/2HP 125VAC 2HP 250VAC	ON-NONE-(ON) ON-OFF-ON ON-OFF-(ON) (ON)-OFF-(ON)	<b>0</b> <b>A</b> <b>0</b>	<b>1</b> <b>B</b> <b>1</b>	<b>3</b> <b>D</b> <b>3</b>	<b>4</b> <b>E</b> <b>4</b>	<b>5</b> <b>F</b> <b>5</b>	<b>6</b> <b>G</b> <b>6</b>			
<b>K</b> ON-NONE-OFF <b>L</b> ON-NONE-ON <b>M</b> ON-OFF-ON											

#### NOTES:

Shading indicates standard configurations.

For bushing accessories, see pages 69 and 70.

1 Additional circuits are available on page 53.

2 Additional ratings available. Consult factory.

Rating Code 5 is applicable to certain circuits only. Consult factory for specifics.

Rating 9 is only available with nylon bushing and actuator. See page 53 for callout.

Rating 9 is only available with terminations 0 and 1, circuits A, B, K and L only.

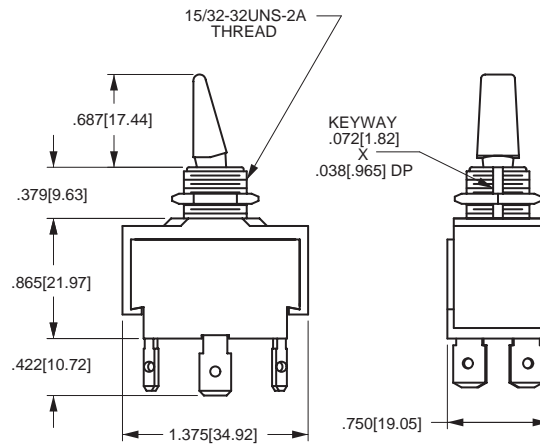
Rating 72 is only available in maintained circuits and nylon construction. See page 53 for callout.

3 NBL toggle uses black oxide plated metal bushing for standard construction. NWH toggles use nickel plated metal bushing for standard construction.



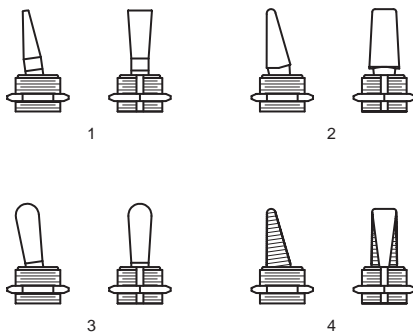
BAT	TOGGLE LENGTH	BUSHING LENGTH	SUFFIX NO.	NEOPRENE SEAL
	.406	.343	<b>52</b>	<b>57</b>
	.562	.465	<b>63</b>	<b>68</b>
	.687	.465	<b>73</b>	<b>78</b>
	1.00	.465	<b>A3</b>	<b>A8</b>
	1.25	.465	<b>B3</b>	<b>B8</b>
	.687	.465	<b>NBL3</b>	<b>NBL8</b>
	.687	.465	<b>NWH3</b>	<b>NWH8</b>
	1.50	.465	<b>C3</b>	<b>C8</b>

## Nylon Toggle



S.P. OR D.P. NYLON

FOR NYLON TOGGLES  
AFTER TERMINATION SELECTION, ADD SUFFIXES:  
(ex.) 2GK51-D-4B-B



<b>D</b>	-	<b>4</b>	-	<b>B</b>	-	<b>B</b>
NYLON TOGGLE		TOGGLE STYLE (SEE DRAWING AT LEFT)		ACTUATOR COLOR		BUSHING COLOR
D		1 2 3 4 (WITH NEOPRENE SEAL)		B BLACK W WHITE		B BLACK W WHITE

## Additional Circuits<sup>1</sup>

CIRCUIT	POSITION 1	POSITION 2	POSITION 3
<b>PROGRESSIVE TWO CIRCUIT</b>			
<b>2GH</b>	CIRCUIT 1 ON	2 CIRCUITS ON	CIRCUIT 2 ON
<b>2GP</b>	CIRCUIT 2 ON	CIRCUIT 1 ON	OFF
<b>2GG</b>	2 CIRCUITS ON	CIRCUIT 1 ON	OFF
<b>6GG MOMENTARY</b>	2 CIRCUITS (ON)	CIRCUIT 1 ON	OFF
<b>SINGLE POLE TRIPLE THROW</b>			
<b>2GE</b>	ON	ON	ON
<b>REVERSING DOUBLE POLE DOUBLE THROW*</b>			
<b>2GX</b>	ON	NONE	ON
<b>2GO</b>	ON	OFF	ON
<b>6GO MOMENTARY</b>	(ON)	OFF	(ON)

\*WITH REVERSING DOUBLE POLE DOUBLE THROW CIRCUITS, USE TERMINATION/  
FUNCTION FROM FOLLOWING OPTIONS:

	SOLDER LUG	.250 TAB (Q.C)	SCREW TERM.	WIRE LEAD
<b>3</b>		<b>3/TABS</b>	<b>4</b>	<b>1</b>
<b>3</b>		<b>3/TABS</b>	<b>4</b>	<b>1</b>
<b>3</b>		<b>3/TABS</b>	<b>4</b>	<b>1</b>

NOTES:

Shading indicates standard configurations.

<sup>1</sup> Additional momentary circuits are available. Consult factory for details.