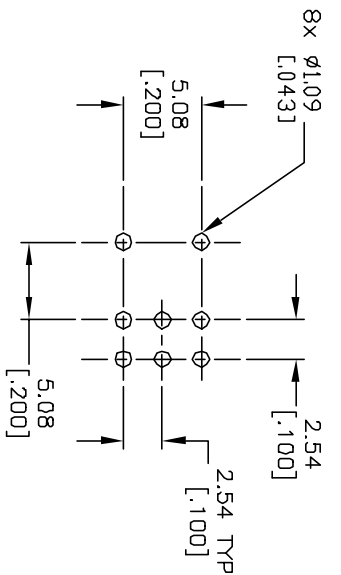
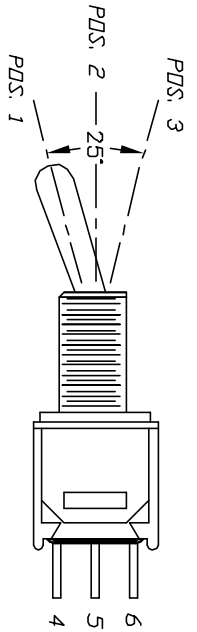
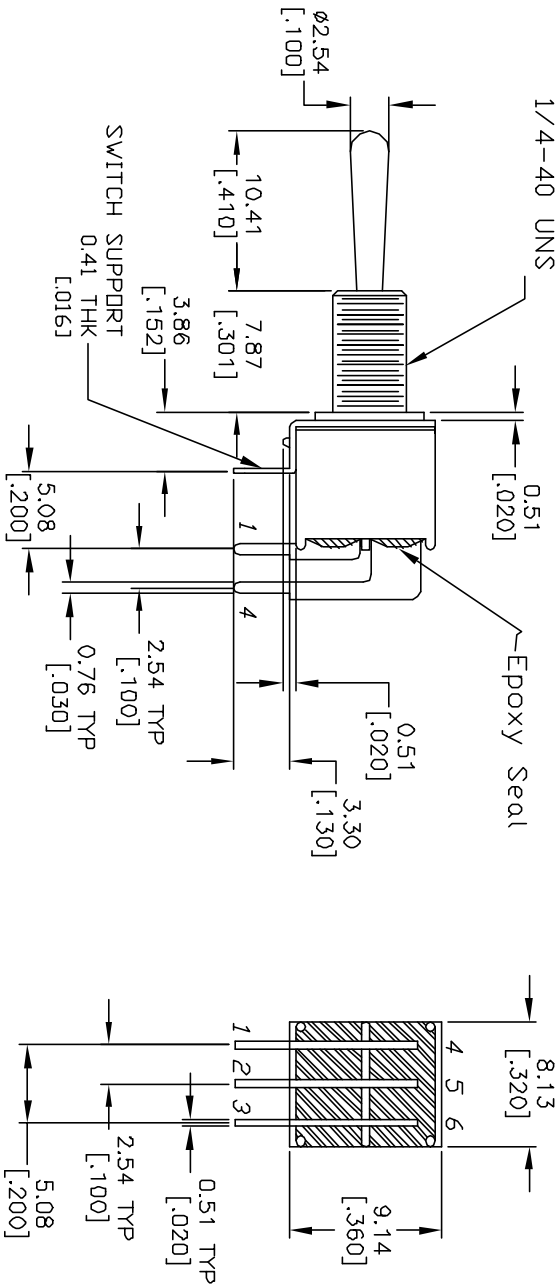
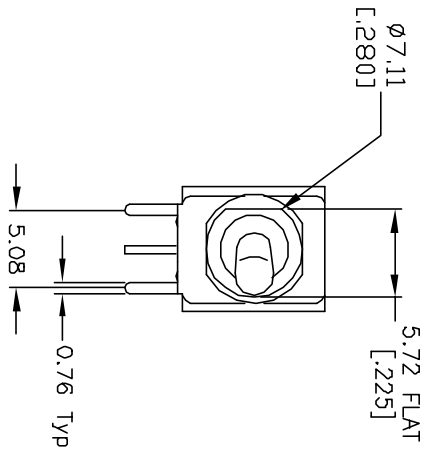


CONTACT CONFIGURATION

| SWITCH FUNCTION | | |
|-----------------|--------|----------|
| POS. 1 | POS. 2 | POS. 3 |
| DN | OFF | DN |
| 2-3, 5-6 | OPEN | 2-1, 5-4 |



RECOMMENDED P.C.B. LAYOUT



NOTES:

1. ALL DIMENSIONS IN MM [INCH]
2. GENERAL TOLERANCE: X.X=±0.4 X.XX=±0.25
3. TERM. NOS. FOR REF. ONLY
4. CONTACT RATING: 0.4 VA MAX. @ 20 VAC OR DC MAX
5. FIXED TERMINAL & MOVING CONTACT:
COPPER ALLOY W/ GOLD PLATE OVER NICKEL PLATE
6. ELECTRIC LIFE: 30,000 make-and-break cycles at full load.
7. INSULATION RESISTANCE: 1,000 M Ω MIN.
8. DIELECTRIC STRENGTH: 1,000 V RMS @sea level.
9. OPERATING TEMP.: -30°C to 85°C

| | | | | |
|------|---------|-------------------------|----------|------|
| A | 11731 | RELEASED FOR PRODUCTION | 10/11/01 | CJC |
| REV. | ECN No. | DESCRIPTION | DATE | CHKD |

| | | | | | | | |
|------------------------|--|-------|--|----------|-----|---------|-----|
| TITLE | | SCALE | | DATE | DR | DWG | REV |
| 200 MDP-3 T4 B5 M6 R E | | 2:1 | | 10/11/01 | CJC | T201233 | A |



THE INFORMATION CONTAINED IN THIS DOCUMENT IS PROPRIETARY TO E-SWITCH AND IS NOT TO BE COPIED OR TRANSMITTED