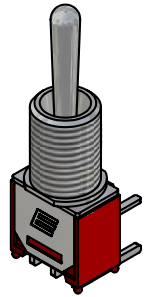
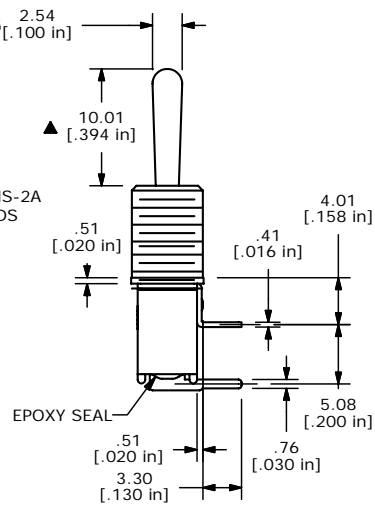
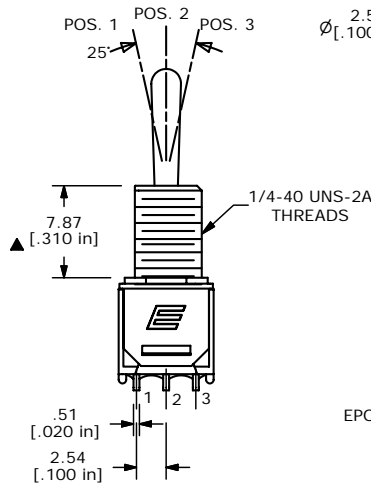
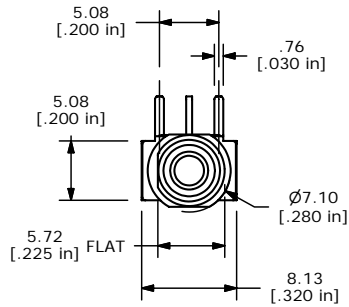
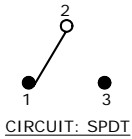


| SWITCH FUNCTION | | |
|-----------------|--------|--------|
| POS. 1 | POS. 2 | POS. 3 |
| | | |
| ON | OFF | ON |
| 2-3 | OPEN | 2-1 |



ISOMETRIC

- NOTE:
1. ALL DIMENSIONS IN MM [INCH]
 2. GENERAL TOLERANCE: X.X=±0.4
X.XX=±0.25
 3. TERMINAL NUMBERS FOR REF ONLY
 - ▲4. PLATING MATERIAL: GOLD
 5. RATING: 0.4VOLT-AMPS MAX. @20V MAX. AC OR DC
 6. ELECTRIC LIFE: 30,000 MAKE-AND-BREAK CYCLES AT FULL LOAD.
 7. INSULATION RESISTANCE: 1,000 MEGA-OHM MIN.
 8. DIELECTRIC STRENGTH: 1,000 V RMS @SEA LEVEL.
 9. OPERATING TEMP.: -30°C to 85°C
 10. ▲ DENOTES CRITICAL PARAMETER.

| | | | | |
|-----|--------|----------------------------------|----------|----|
| F | 15547 | CHANGED DIME FROM 10.41 TO 10.01 | 11/18/05 | PH |
| E | 15460 | CHANGED DIME TO 10.41 FROM 10.01 | 10/26/05 | PH |
| D | 14746 | REVISED AND REDRAWN | 3/14/05 | AR |
| REV | PCR NO | DESCRIPTION | DATE | BY |

THE INFORMATION CONTAINED IN THIS DOCUMENT IS PROPRIETARY TO E-SWITCH AND IS NOT TO BE COPIED OR TRANSFERRED

E-SWITCH®

TITLE 200MSP3T4B5M6RE

| | | | | |
|-----------|----------------|--------|-------------|-------|
| SCALE 2:1 | DATE 8/11/2000 | DR GLG | DWG T212019 | REV F |
|-----------|----------------|--------|-------------|-------|